



DAS HERZ DER FRISCHE

SEMI-HERMETIC

RECIPROCATING COMPRESSORS

MULTIPLE COMPRESSOR UNIT

ORIGINAL MANUFACTURED EQUIPMENT

MultiPAC



Watch BITZER video



Version 50Hz



PRODUCTS SPECIFICATIONS

Multiple Semi-hermetic compressors

The proven series is based on the range of BITZER 2, 4 & 6 cylinder Ecoline semi-hermetic compressors. The package displacement is ranging from 26,8 to 606,4 m³/h and of Horse Power (HP) from 4 to 200 HP. Customized versions are available on request.

The multiple compressor packages are manufactured with many advanced features standard and a range of standard options.

Standard MultiPAC units

- with single 2..4 compressors, custom packages with 5 compressors available on request
- with single stage 2DES-2Y..6FE-50Y
- with 2-stage S4T-5.2(Y) .. S6F-30.2(Y)

Important features

- Solid design with compact dimensions
- Raised compressor mounts for easy service access
- Energy efficient new BITZER Ecoline compressors
- Suction gas header with integrated filter design
- Oil separator with oil sight glass and service valve
- Oil return filter with individual oil return stop valves
- Individual electronic oil management system and high pressure oil return with alarm
- Increased performance with reduced pipe work
- Comprehensive application range
 - Refrigerants R134a and R404A. R407C and others available on request
 - High, medium and low temperature applications
- Maximum allowable pressure 32 bar
- Horizontal liquid receiver with multiple sight glasses and connection for pressure relief valve
- Liquid line isolation valves, filter, sight glass, moisture indicator
- High Pressure switch per compressor, common Low Pressure switch
- Pre charged with oil
- Shipped with a Nitrogen protective holding charge

Additional features for 2-stage units

- Oversized liquid header for increased flood back protection
- Individual sub-coolers mounted per compressor with TXV and solenoid valve

Comprehensive application range

- Refrigerants R134a and R404A. R407C and others available on request
- High, medium and low temperature applications

Options

- Water cooled condenser to suit the application
- Capacity control kit fitted to 4 cylinder and 6 cylinder single stage compressors
- OLCK optical oil level safety for Octagon compressors
- Check valve in discharge line
- High pressure and Low pressure liquid filled pressure gauges with isolation valves
- Electrical board complete with suction pressure management, compressor contactors & overloads, line lights and delay timer
- Optional condenser and evaporator electrical board
- MP54 Oil pressure switch
- Head cooling fans

Performance data

All given values of the cooling capacity (KW) are based on 50 Hz and the European standard EN 12900: suction gas temperature 20°C with no liquid sub cooling. For 2-stage compressors the capacity is based on sub-cooling.

These values show the power consumption of the compressor.



ASERCOM certified compressor data see BITZER Software.



Certified Management System
DIN EN ISO 9001:2000

Factory ISO9001 Quality Certification.

Explanation of type designation

Example

MP – 203 – K – 4NES – 42
MP – MultiPAC CP - ChillIPAC

MP – 203 – K – 4NES – 42
Frame series: 1 = 100 series 2 = 200 series 3 = 300 series 7 = 700 series

MP – 203 – K – 4NES – 42
Number of compressors installed

MP – 203 – K – 4NES – 42
Operating temperature L = Low load (R134a only motor 3) K = Low / medium temperature (all refrigerant) H = High Temperature

MP – 203 – K – 4NES – 42
Compressor mode details

MP – 203 – K – 4NES – 42
Total motor nominal horse power



PERFORMANCE DATA

Performance data, based on 20°C suction gas temperature; 50Hz

Unit Model	Cond. Temp. °C		Cooling Capacity			Q _o [kW]		Total Heat Rejection			THR [kW]	
			Evaporating Temperature °C									
			10	5	0	-5	-10	-15	-20			
MP-102-K-2DES-4Y	40	Q	20.48	16.78	13.60	10.90	8.60	6.64	5.02			
		THR	24.78	20.90	17.46	14.48	11.84	9.54	7.56			
	50	Q	17.74	14.52	11.74	9.36	7.34	5.62	4.18			
		THR	22.82	19.26	16.08	13.30	10.84	8.68	6.80			
	60	Q	15.06	12.26	9.88	7.82	6.08	4.60	3.36			
		THR	20.78	17.48	14.58	12.00	9.72	7.72	6.00			
MP-103-K-2DES-6Y	40	Q	30.72	25.17	20.40	16.35	12.90	9.96	7.53			
		THR	37.17	31.35	26.19	21.72	17.76	14.31	11.34			
	50	Q	26.61	21.78	17.61	14.04	11.01	8.43	6.27			
		THR	34.23	28.89	24.12	19.95	16.26	13.02	10.20			
	60	Q	22.59	18.39	14.82	11.73	9.12	6.90	5.04			
		THR	31.17	26.22	21.87	18.00	14.58	11.58	9.00			
MP-104-K-2DES-8Y	40	Q	40.96	33.56	27.20	21.80	17.20	13.28	10.04			
		THR	49.56	41.80	34.92	28.96	23.68	19.08	15.12			
	50	Q	35.48	29.04	23.48	18.72	14.68	11.24	8.36			
		THR	45.64	38.52	32.16	26.60	21.68	17.36	13.60			
	60	Q	30.12	24.52	19.76	15.64	12.16	9.20	6.72			
		THR	41.56	34.96	29.16	24.00	19.44	15.44	12.00			
MP-102-K-2CES-6Y	40	Q	25.06	20.58	16.74	13.44	10.64	8.28	6.30			
		THR	30.26	25.58	21.46	17.82	14.62	11.86	9.46			
	50	Q	21.80	17.88	14.50	11.62	9.16	7.08	5.34			
		THR	27.96	23.64	19.82	16.46	13.50	10.90	8.66			
	60	Q	18.58	15.20	12.30	9.80	7.68	5.88	4.36			
		THR	25.56	21.60	18.10	14.98	12.24	9.84	7.74			
MP-103-K-2CES-9Y	40	Q	37.59	30.87	25.11	20.16	15.96	12.42	9.45			
		THR	45.39	38.37	32.19	26.73	21.93	17.79	14.19			
	50	Q	32.70	26.82	21.75	17.43	13.74	10.62	8.01			
		THR	41.94	35.46	29.73	24.69	20.25	16.35	12.99			
	60	Q	27.87	22.80	18.45	14.70	11.52	8.82	6.54			
		THR	38.34	32.40	27.15	22.47	18.36	14.76	11.61			
MP-104-K-2CES-12Y	40	Q	50.12	41.16	33.48	26.88	21.28	16.56	12.60			
		THR	60.52	51.16	42.92	35.64	29.24	23.72	18.92			
	50	Q	43.60	35.76	29.00	23.24	18.32	14.16	10.68			
		THR	55.92	47.28	39.64	32.92	27.00	21.80	17.32			
	60	Q	37.16	30.40	24.60	19.60	15.36	11.76	8.72			
		THR	51.12	43.20	36.20	29.96	24.48	19.68	15.48			
MP-102-K-4FES-6Y	40	Q	27.18	22.08	17.76	14.12	11.04	8.48	6.38			
		THR	32.74	27.38	22.72	18.68	15.16	12.14	9.58			
	50	Q	23.30	18.88	15.12	11.94	9.26	7.02	5.18			
		THR	29.78	24.90	20.62	16.90	13.64	10.82	8.42			
	60	Q	19.46	15.68	12.48	9.76	7.46	5.56	3.98			
		THR	26.66	22.24	18.36	14.96	11.96	9.36	7.12			
MP-103-K-4FES-9Y	40	Q	40.77	33.12	26.64	21.18	16.56	12.72	9.57			
		THR	49.11	41.07	34.08	28.02	22.74	18.21	14.37			
	50	Q	34.95	28.32	22.68	17.91	13.89	10.53	7.77			
		THR	44.67	37.35	30.93	25.35	20.46	16.23	12.63			
	60	Q	29.19	23.52	18.72	14.64	11.19	8.34	5.97			
		THR	39.99	33.36	27.54	22.44	17.94	14.04	10.68			
MP-104-K-4FES-12Y	40	Q	54.36	44.16	35.52	28.24	22.08	16.96	12.76			
		THR	65.48	54.76	45.44	37.36	30.32	24.28	19.16			
	50	Q	46.60	37.76	30.24	23.88	18.52	14.04	10.36			
		THR	59.56	49.80	41.24	33.80	27.28	21.64	16.84			
	60	Q	38.92	31.36	24.96	19.52	14.92	11.12	7.96			
		THR	53.32	44.48	36.72	29.92	23.92	18.72	14.24			
MP-102-K-4EES-8Y	40	Q	34.06	28.00	22.82	18.38	14.64	11.46	8.82			
		THR	41.10	34.72	29.14	24.24	19.98	16.26	13.06			
	50	Q	29.52	24.22	19.66	15.78	12.48	9.70	7.38			
		THR	37.88	32.02	26.84	22.30	18.30	14.82	11.82			
	60	Q	25.00	20.46	16.56	13.22	10.38	7.96	5.96			
		THR	34.50	29.16	24.42	20.24	16.54	13.30	10.50			
MP-103-K-4EES-12Y	40	Q	51.09	42.00	34.23	27.57	21.96	17.19	13.23			
		THR	61.65	52.08	43.71	36.36	29.97	24.39	19.59			
	50	Q	44.28	36.33	29.49	23.67	18.72	14.55	11.07			
		THR	56.82	48.03	40.26	33.45	27.45	22.23	17.73			
	60	Q	37.50	30.69	24.84	19.83	15.57	11.94	8.94			
		THR	51.75	43.74	36.63	30.36	24.81	19.95	15.75			
MP-104-K-4EES-16Y	40	Q	68.12	56.00	45.64	36.76	29.28	22.92	17.64			
		THR	82.20	69.44	58.28	48.48	39.96	32.52	26.12			
	50	Q	59.04	48.44	39.32	31.56	24.96	19.40	14.76			
		THR	75.76	64.04	53.68	44.60	36.60	29.64	23.64			
	60	Q	50.00	40.92	33.12	26.44	20.76	15.92	11.92			
		THR	69.00	58.32	48.84	40.48	33.08	26.60	21.00			
MP-102-K-4DES-10Y	40	Q	41.00	33.38	26.94	21.50	16.92	13.10	9.96			
		THR	49.32	41.30	34.36	28.34	23.14	18.64	14.82			
	50	Q	35.30	28.72	23.10	18.36	14.36	11.02	8.26			
		THR	45.06	37.80	31.44	25.90	21.06	16.88	13.28			
	60	Q	29.66	24.06	19.26	15.20	11.78	8.90	6.54			
		THR	40.60	34.06	28.26	23.20	18.76	14.88	11.56			
MP-103-K-4DES-15Y	40	Q	61.50	50.07	40.41	32.25	25.38	19.65	14.94			
		THR	73.98	61.95	51.54	42.51	34.71	27.96	22.23			
	50	Q	52.95	43.08	34.65	27.54	21.54	16.53	12.39			
		THR	67.59	56.70	47.16	38.85	31.59	25.32	19.92			
	60	Q	44.49	36.09	28.89	22.80	17.67	13.35	9.81			
		THR	60.90	51.09	42.39	34.80	28.14	22.32	17.34			



PERFORMANCE DATA

Performance data, based on 20°C suction gas temperature; 50Hz

Unit Model	Cond. Temp. °C		Cooling Capacity		Q _o [kW]		Total Heat Rejection		THR [kW]	
			10	5	Evaporating Temperature °C					
					0	-5	-10	-15	-20	
MP-104-K-4DES-20Y	40	Q	82.00	66.76	53.88	43.00	33.84	26.20	19.92	
		THR	98.64	82.60	68.72	56.68	46.28	37.28	29.64	
	50	Q	70.60	57.44	46.20	36.72	28.72	22.04	16.52	
		THR	90.12	75.60	62.88	51.80	42.12	33.76	26.56	
	60	Q	59.32	48.12	38.52	30.40	23.56	17.80	13.08	
		THR	81.20	68.12	56.52	46.40	37.52	29.76	23.12	
MP-102-K-4CES-12Y	40	Q	50.10	40.90	33.12	26.52	20.98	16.34	12.50	
		THR	60.20	50.54	42.20	34.92	28.64	23.22	18.58	
	50	Q	43.40	35.38	28.58	22.80	17.94	13.90	10.54	
		THR	55.28	46.48	38.82	32.10	26.26	21.24	16.92	
	60	Q	36.64	29.84	24.02	19.08	14.90	11.42	8.52	
		THR	50.02	42.12	35.16	29.04	23.66	19.02	15.00	
MP-103-K-4CES-18Y	40	Q	75.15	61.35	49.68	39.78	31.47	24.51	18.75	
		THR	90.30	75.81	63.30	52.38	42.96	34.83	27.87	
	50	Q	65.10	53.07	42.87	34.20	26.91	20.85	15.81	
		THR	82.92	69.72	58.23	48.15	39.39	31.86	25.38	
	60	Q	54.96	44.76	36.03	28.62	22.35	17.13	12.78	
		THR	75.03	63.18	52.74	43.56	35.49	28.53	22.50	
MP-104-K-4CES-24Y	40	Q	100.20	81.80	66.24	53.04	41.96	32.68	25.00	
		THR	120.40	101.08	84.40	69.84	57.28	46.44	37.16	
	50	Q	86.80	70.76	57.16	45.60	35.88	27.80	21.08	
		THR	110.56	92.96	77.64	64.20	52.52	42.48	33.84	
	60	Q	73.28	59.68	48.04	38.16	29.80	22.84	17.04	
		THR	100.04	84.24	70.32	58.08	47.32	38.04	30.00	
KP-202-L-4VES-12Y	30	Q			40.80	32.62	25.70	19.90	15.10	
		THR			48.86	40.28	32.74	26.20	20.56	
	40	Q			35.44	28.18	22.04	16.88	12.58	
		THR			44.80	36.76	29.74	23.64	18.38	
	50	Q			30.00	23.70	18.32	13.76	9.92	
		THR			40.34	32.98	26.48	20.82	15.94	
KP-203-L-4VES-18Y	30	Q			61.20	48.93	38.55	29.85	22.65	
		THR			73.29	60.42	49.11	39.30	30.84	
	40	Q			53.16	42.27	33.06	25.32	18.87	
		THR			67.20	55.14	44.61	35.46	27.57	
	50	Q			45.00	35.55	27.48	20.64	14.88	
		THR			60.51	49.47	39.72	31.23	23.91	
KP-204-L-4VES-24Y	30	Q			81.60	65.24	51.40	39.80	30.20	
		THR			97.72	80.56	65.48	52.40	41.12	
	40	Q			70.88	56.36	44.08	33.76	25.16	
		THR			89.60	73.52	59.48	47.28	36.76	
	50	Q			60.00	47.40	36.64	27.52	19.84	
		THR			80.68	65.96	52.96	41.64	31.88	
KP-202-K-4VES-14Y	40	Q	53.90	44.00	35.44	28.18	22.04	16.88	12.58	
		THR	64.20	53.94	44.80	36.76	29.74	23.64	18.38	
	50	Q	45.90	37.36	30.00	23.70	18.32	13.76	9.92	
		THR	57.98	48.66	40.34	32.98	26.50	20.82	15.94	
	60	Q	38.12	30.96	24.76	19.38	14.76	10.80	7.40	
		THR	51.66	43.32	35.84	29.14	23.20	17.94	13.34	
KP-203-K-4VES-21Y	40	Q	80.85	66.00	53.16	42.27	33.06	25.32	18.87	
		THR	96.30	80.91	67.20	55.14	44.61	35.46	27.57	
	50	Q	68.85	56.04	45.00	35.55	27.48	20.64	14.88	
		THR	86.97	72.99	60.51	49.47	39.75	31.23	23.91	
	60	Q	57.18	46.44	37.14	29.07	22.14	16.20	11.10	
		THR	77.49	64.98	53.76	43.71	34.80	26.91	20.01	
KP-204-K-4VES-28Y	40	Q	107.80	88.00	70.88	56.36	44.08	33.76	25.16	
		THR	128.40	107.88	89.60	73.52	59.48	47.28	36.76	
	50	Q	91.80	74.72	60.00	47.40	36.64	27.52	19.84	
		THR	115.96	97.32	80.68	65.96	53.00	41.64	31.88	
	60	Q	76.24	61.92	49.52	38.76	29.52	21.60	14.80	
		THR	103.32	86.64	71.68	58.28	46.40	35.88	26.68	
KP-202-L-4TES-16Y	30	Q			49.00	39.32	31.10	24.20	18.46	
		THR			58.66	48.50	39.58	31.84	25.14	
	40	Q			42.80	34.16	26.84	20.68	15.52	
		THR			54.08	44.54	36.20	28.94	22.64	
	50	Q			36.42	28.90	22.48	17.02	12.42	
		THR			48.96	40.20	32.48	25.72	19.86	
KP-203-L-4TES-24Y	30	Q			73.50	58.98	46.65	36.30	27.69	
		THR			87.99	72.75	59.37	47.76	37.71	
	40	Q			64.20	51.24	40.26	31.02	23.28	
		THR			81.12	66.81	54.30	43.41	33.96	
	50	Q			54.63	43.35	33.72	25.53	18.63	
		THR			73.44	60.30	48.72	38.58	29.79	
KP-204-L-4TES-32Y	30	Q			98.00	78.64	62.20	48.40	36.92	
		THR			117.32	97.00	79.16	63.68	50.28	
	40	Q			85.60	68.32	53.68	41.36	31.04	
		THR			108.16	89.08	72.40	57.88	45.28	
	50	Q			72.84	57.80	44.96	34.04	24.84	
		THR			97.92	80.40	64.96	51.44	39.72	
KP-202-K-4TES-18Y	40	Q	64.70	52.90	42.80	34.16	26.84	20.68	15.52	
		THR	77.10	64.86	54.08	44.54	36.20	28.94	22.64	
	50	Q	55.40	45.20	36.42	28.90	22.48	17.02	12.42	
		THR	69.98	58.84	48.96	40.20	32.48	25.72	19.86	
	60	Q	46.20	37.68	30.28	23.86	18.32	13.56	9.48	
		THR	62.60	52.70	43.82	35.84	28.74	22.46	16.96	



PERFORMANCE DATA

Performance data, based on 20°C suction gas temperature; 50Hz

Unit Model	Cond. Temp. °C		Cooling Capacity		Q _o [kW]		Total Heat Rejection		THR [kW]	
			10	5	Evaporating Temperature °C					
					0	-5	-10	-15	-20	
KP-203-K-4TES-27Y	40	Q	97.05	79.35	64.20	51.24	40.26	31.02	23.28	
		THR	115.65	97.29	81.12	66.81	54.30	43.41	33.96	
	50	Q	83.10	67.80	54.63	43.35	33.72	25.53	18.63	
		THR	104.97	88.26	73.44	60.30	48.72	38.58	29.79	
	60	Q	69.30	56.52	45.42	35.79	27.48	20.34	14.22	
		THR	93.90	79.05	65.73	53.76	43.11	33.69	25.44	
KP-204-K-4TES-36Y	40	Q	129.40	105.80	85.60	68.32	53.68	41.36	31.04	
		THR	154.20	129.72	108.16	89.08	72.40	57.88	45.28	
	50	Q	110.80	90.40	72.84	57.80	44.96	34.04	24.84	
		THR	139.96	117.68	97.92	80.40	64.96	51.44	39.72	
	60	Q	92.40	75.36	60.56	47.72	36.64	27.12	18.96	
		THR	125.20	105.40	87.64	71.68	57.48	44.92	33.92	
KP-202-L-4PES-20Y	30	Q			56.60	45.20	35.50	27.42	20.72	
		THR			67.58	55.60	45.08	36.04	28.26	
	40	Q			49.00	38.90	30.34	23.14	17.14	
		THR			61.68	50.54	40.80	32.32	25.02	
	50	Q			41.40	32.56	25.06	18.72	13.40	
		THR			55.36	45.08	36.06	28.18	21.32	
KP-203-L-4PES-30Y	30	Q			84.90	67.80	53.25	41.13	31.08	
		THR			101.37	83.40	67.62	54.06	42.39	
	40	Q			73.50	58.35	45.51	34.71	25.71	
		THR			92.52	75.81	61.20	48.48	37.53	
	50	Q			62.10	48.84	37.59	28.08	20.10	
		THR			83.04	67.62	54.09	42.27	31.98	
KP-204-L-4PES-40Y	30	Q			113.20	90.40	71.00	54.84	41.44	
		THR			135.16	111.20	90.16	72.08	56.52	
	40	Q			98.00	77.80	60.68	46.28	34.28	
		THR			123.36	101.08	81.60	64.64	50.04	
	50	Q			82.80	65.12	50.12	37.44	26.80	
		THR			110.72	90.16	72.12	56.36	42.64	
KP-202-K-4PES-24Y	40	Q	74.90	61.00	49.00	38.90	30.34	23.14	17.14	
		THR	88.96	74.50	61.68	50.54	40.80	32.32	25.02	
	50	Q	63.60	51.60	41.40	32.56	25.06	18.72	13.40	
		THR	79.96	66.86	55.36	45.08	36.06	28.18	21.32	
	60	Q	52.60	42.60	33.94	26.48	20.04	14.52	9.82	
		THR	70.80	59.18	48.80	39.52	31.24	23.88	17.40	
KP-203-K-4PES-36Y	40	Q	112.35	91.50	73.50	58.35	45.51	34.71	25.71	
		THR	133.44	111.75	92.52	75.81	61.20	48.48	37.53	
	50	Q	95.40	77.40	62.10	48.84	37.59	28.08	20.10	
		THR	119.94	100.29	83.04	67.62	54.09	42.27	31.98	
	60	Q	78.90	63.90	50.91	39.72	30.06	21.78	14.73	
		THR	106.20	88.77	73.20	59.28	46.86	35.82	26.10	
KP-204-K-4PES-48Y	40	Q	149.80	122.00	98.00	77.80	60.68	46.28	34.28	
		THR	177.92	149.00	123.36	101.08	81.60	64.64	50.04	
	50	Q	127.20	103.20	82.80	65.12	50.12	37.44	26.80	
		THR	159.92	133.72	110.72	90.16	72.12	56.36	42.64	
	60	Q	105.20	85.20	67.88	52.96	40.08	29.04	19.64	
		THR	141.60	118.36	97.60	79.04	62.48	47.76	34.80	
KP-202-L-4NES-24Y	30	Q			66.50	53.20	42.00	32.66	24.86	
		THR			79.46	65.48	53.36	42.94	33.96	
	40	Q			57.90	46.20	36.20	27.82	20.84	
		THR			72.94	60.06	48.72	38.88	30.40	
	50	Q			49.20	38.94	30.22	22.82	16.58	
		THR			65.90	54.00	43.50	34.30	26.28	
KP-203-L-4NES-36Y	30	Q			99.75	79.80	63.00	48.99	37.29	
		THR			119.19	98.22	80.04	64.41	50.94	
	40	Q			86.85	69.30	54.30	41.73	31.26	
		THR			109.41	90.09	73.08	58.32	45.60	
	50	Q			73.80	58.41	45.33	34.23	24.87	
		THR			98.85	81.00	65.25	51.45	39.42	
KP-204-L-4NES-48Y	30	Q			133.00	106.40	84.00	65.32	49.72	
		THR			158.92	130.96	106.72	85.88	67.92	
	40	Q			115.80	92.40	72.40	55.64	41.68	
		THR			145.88	120.12	97.44	77.76	60.80	
	50	Q			98.40	77.88	60.44	45.64	33.16	
		THR			131.80	108.00	87.00	68.60	52.56	
KP-202-K-4NES-28Y	40	Q	87.70	71.60	57.80	46.00	36.10	27.72	20.74	
		THR	104.36	87.58	72.82	59.84	48.58	38.74	30.26	
	50	Q	74.80	61.00	49.00	38.82	30.10	22.70	16.48	
		THR	94.24	79.16	65.66	53.82	43.34	34.12	26.12	
	60	Q	62.30	50.70	40.60	31.92	24.40	17.94	12.42	
		THR	84.08	70.62	58.48	47.68	38.00	29.40	21.80	
KP-203-K-4NES-42Y	40	Q	131.55	107.40	86.70	69.00	54.15	41.58	31.11	
		THR	156.54	131.37	109.23	89.76	72.87	58.11	45.39	
	50	Q	112.20	91.50	73.50	58.23	45.15	34.05	24.72	
		THR	141.36	118.74	98.49	80.73	65.01	51.18	39.18	
	60	Q	93.45	76.05	60.90	47.88	36.60	26.91	18.63	
		THR	126.12	105.93	87.72	71.52	57.00	44.10	32.70	
KP-204-K-4NES-56Y	40	Q	175.40	143.20	115.60	92.00	72.20	55.44	41.48	
		THR	208.72	175.16	145.64	119.68	97.16	77.48	60.52	
	50	Q	149.60	122.00	98.00	77.64	60.20	45.40	32.96	
		THR	188.48	158.32	131.32	107.64	86.68	68.24	52.24	
	60	Q	124.60	101.40	81.20	63.84	48.80	35.88	24.84	
		THR	168.16	141.24	116.96	95.36	76.00	58.80	43.60	



PERFORMANCE DATA

Performance data, based on 20°C suction gas temperature; 50Hz

Unit Model	Cond. Temp. °C		Cooling Capacity		Q _o [kW]		Total Heat Rejection		THR [kW]	
			10	5	Evaporating Temperature °C					
					0	-5	-10	-15	-20	
KP-302-L-4JE-26Y	30	Q			74.60	60.40	48.20	37.84	29.12	
		THR			89.32	74.42	61.28	49.80	39.84	
	40	Q			65.60	52.80	42.00	32.74	24.94	
		THR			82.92	68.92	56.72	45.94	36.56	
	50	Q			56.70	45.50	35.90	27.76	20.86	
		THR			76.34	63.44	52.00	41.94	33.12	
KP-303-L-4JE-39Y	30	Q			111.90	90.60	72.30	56.76	43.68	
		THR			133.98	111.63	91.92	74.70	59.76	
	40	Q			98.40	79.20	63.00	49.11	37.41	
		THR			124.38	103.38	85.08	68.91	54.84	
	50	Q			85.05	68.25	53.85	41.64	31.29	
		THR			114.51	95.16	78.00	62.91	49.68	
KP-304-L-4JE-52Y	30	Q			149.20	120.80	96.40	75.68	58.24	
		THR			178.64	148.84	122.56	99.60	79.68	
	40	Q			131.20	105.60	84.00	65.48	49.88	
		THR			165.84	137.84	113.44	91.88	73.12	
	50	Q			113.40	91.00	71.80	55.52	41.72	
		THR			152.68	126.88	104.00	83.88	66.24	
KP-302-K-4JE-30Y	40	Q	97.30	80.10	65.30	52.60	41.70	32.46	24.66	
		THR	115.90	98.06	82.34	68.48	56.26	45.58	36.28	
	50	Q	84.50	69.40	56.40	45.20	35.60	27.44	20.52	
		THR	106.38	90.08	75.64	62.80	51.46	41.50	32.78	
	60	Q	71.90	58.80	47.60	37.84	29.50	22.40	16.36	
		THR	96.60	81.74	68.60	56.78	46.28	37.00	28.82	
KP-303-K-4JE-45Y	40	Q	145.95	120.15	97.95	78.90	62.55	48.69	36.99	
		THR	173.85	147.09	123.51	102.72	84.39	68.37	54.42	
	50	Q	126.75	104.10	84.60	67.80	53.40	41.16	30.78	
		THR	159.57	135.12	113.46	94.20	77.19	62.25	49.17	
	60	Q	107.85	88.20	71.40	56.76	44.25	33.60	24.54	
		THR	144.90	122.61	102.90	85.17	69.42	55.50	43.23	
KP-304-K-4JE-60Y	40	Q	194.60	160.20	130.60	105.20	83.40	64.92	49.32	
		THR	231.80	196.12	164.68	136.96	112.52	91.16	72.56	
	50	Q	169.00	138.80	112.80	90.40	71.20	54.88	41.04	
		THR	212.76	180.16	151.28	125.60	102.92	83.00	65.56	
	60	Q	143.80	117.60	95.20	75.68	59.00	44.80	32.72	
		THR	193.20	163.48	137.20	113.56	92.56	74.00	57.64	
KP-302-L-4HE-30Y	30	Q			87.60	70.90	56.70	44.60	34.44	
		THR			104.96	87.32	71.96	58.50	46.90	
	40	Q			77.10	62.20	49.50	38.78	29.74	
		THR			97.54	81.12	66.72	54.20	43.30	
	50	Q			66.60	53.60	42.50	33.06	25.14	
		THR			89.72	74.64	61.34	49.64	39.50	
KP-303-L-4HE-45Y	30	Q			131.40	106.35	85.05	66.90	51.66	
		THR			157.44	130.98	107.94	87.75	70.35	
	40	Q			115.65	93.30	74.25	58.17	44.61	
		THR			146.31	121.68	100.08	81.30	64.95	
	50	Q			99.90	80.40	63.75	49.59	37.71	
		THR			134.58	111.96	92.01	74.46	59.25	
KP-303-L-4HE-60Y	30	Q			175.20	141.80	113.40	89.20	68.88	
		THR			209.92	174.64	143.92	117.00	93.80	
	40	Q			154.20	124.40	99.00	77.56	59.48	
		THR			195.08	162.24	133.44	108.40	86.60	
	50	Q			133.20	107.20	85.00	66.12	50.28	
		THR			179.44	149.28	122.68	99.28	79.00	
KP-302-K-4HE-36Y	40	Q	114.80	94.50	77.10	62.20	49.50	38.78	29.74	
		THR	137.20	115.98	97.34	80.96	66.62	54.14	43.28	
	50	Q	99.60	81.90	66.60	53.60	42.50	33.06	25.14	
		THR	125.84	106.56	89.44	74.42	61.18	49.56	39.46	
	60	Q	84.40	69.20	56.20	45.00	35.38	27.26	20.44	
		THR	113.94	96.54	81.14	67.42	55.20	44.48	35.14	
KP-303-K-4HE-54Y	40	Q	172.20	141.75	115.65	93.30	74.25	58.17	44.61	
		THR	205.80	173.97	146.01	121.44	99.93	81.21	64.92	
	50	Q	149.40	122.85	99.90	80.40	63.75	49.59	37.71	
		THR	188.76	159.84	134.16	111.63	91.77	74.34	59.19	
	60	Q	126.60	103.80	84.30	67.50	53.07	40.89	30.66	
		THR	170.91	144.81	121.71	101.13	82.80	66.72	52.71	
KP-304-K-4HE-72Y	40	Q	229.60	189.00	154.20	124.40	99.00	77.56	59.48	
		THR	274.40	231.96	194.68	161.92	133.24	108.28	86.56	
	50	Q	199.20	163.80	133.20	107.20	85.00	66.12	50.28	
		THR	251.68	213.12	178.88	148.84	122.36	99.12	78.92	
	60	Q	168.80	138.40	112.40	90.00	70.76	54.52	40.88	
		THR	227.88	193.08	162.28	134.84	110.40	88.96	70.28	
KP-302-L-4GE-40Y	30	Q			101.00	82.10	65.80	52.00	40.40	
		THR			121.62	101.50	83.74	68.30	54.94	
	40	Q			89.70	72.70	58.20	45.80	35.44	
		THR			113.98	95.08	78.50	63.90	51.28	
	50	Q			77.40	62.40	49.60	38.80	29.74	
		THR			104.78	87.24	71.78	58.26	46.50	
KP-303-L-4GE-60Y	30	Q			151.50	123.15	98.70	78.00	60.60	
		THR			182.43	152.25	125.61	102.45	82.41	
	40	Q			134.55	109.05	87.30	68.70	53.16	
		THR			170.97	142.62	117.75	95.85	76.92	
	50	Q			116.10	93.60	74.40	58.20	44.61	
		THR			157.17	130.86	107.67	87.39	69.75	



R134a

PERFORMANCE DATA

Performance data, based on 20°C suction gas temperature; 50Hz

Unit Model	Cond. Temp. °C		Cooling Capacity Q _o [kW]					Total Heat Rejection THR [kW]		
			Evaporating Temperature °C							
			10	5	0	-5	-10	-15	-20	
KP-304-L-4GE-80Y	30	Q			202.00	164.20	131.60	104.00	80.80	
		THR			243.24	203.00	167.48	136.60	109.88	
	40	Q			179.40	145.40	116.40	91.60	70.88	
		THR			227.96	190.16	157.00	127.80	102.56	
	50	Q			154.80	124.80	99.20	77.60	59.48	
		THR			209.56	174.48	143.56	116.52	93.00	
KP-302-K-4GE-46Y	40	Q	130.20	107.00	87.20	70.30	55.80	43.60	33.28	
		THR	156.70	132.12	110.66	91.84	75.26	60.86	48.28	
	50	Q	112.40	92.00	74.50	59.60	46.90	36.22	27.28	
		THR	143.14	120.62	100.76	83.32	67.94	54.54	42.90	
	60	Q	94.00	76.50	61.50	48.80	37.96	28.90	21.38	
		THR	128.22	107.90	89.90	74.06	60.02	47.76	37.10	
KP-303-K-4GE-69Y	40	Q	195.30	160.50	130.80	105.45	83.70	65.40	49.92	
		THR	235.05	198.18	165.99	137.76	112.89	91.29	72.42	
	50	Q	168.60	138.00	111.75	89.40	70.35	54.33	40.92	
		THR	214.71	180.93	151.14	124.98	101.91	81.81	64.35	
	60	Q	141.00	114.75	92.25	73.20	56.94	43.35	32.07	
		THR	192.33	161.85	134.85	111.09	90.03	71.64	55.65	
KP-304-K-4GE-92Y	40	Q	260.40	214.00	174.40	140.60	111.60	87.20	66.56	
		THR	313.40	264.24	221.32	183.68	150.52	121.72	96.56	
	50	Q	224.80	184.00	149.00	119.20	93.80	72.44	54.56	
		THR	286.28	241.24	201.52	166.64	135.88	109.08	85.80	
	60	Q	188.00	153.00	123.00	97.60	75.92	57.80	42.76	
		THR	256.44	215.80	179.80	148.12	120.04	95.52	74.20	
KP-302-K-4FE-50Y	30	Q			120.00	97.10	77.80	61.60	48.00	
		THR			145.42	120.96	99.82	81.58	65.84	
	40	Q			106.60	86.20	68.90	54.40	42.20	
		THR			136.42	113.54	93.58	76.32	61.38	
	50	Q			93.00	75.10	59.80	47.00	36.26	
		THR			126.58	105.36	86.66	70.44	56.42	
KP-303-K-4FE-75Y	30	Q			180.00	145.65	116.70	92.40	72.00	
		THR			218.13	181.44	149.73	122.37	98.76	
	40	Q			159.90	129.30	103.35	81.60	63.30	
		THR			204.63	170.31	140.37	114.48	92.07	
	50	Q			139.50	112.65	89.70	70.50	54.39	
		THR			189.87	158.04	129.99	105.66	84.63	
KP-304-K-4FE-100Y	30	Q			240.00	194.20	155.60	123.20	96.00	
		THR			290.84	241.92	199.64	163.16	131.68	
	40	Q			213.20	172.40	137.80	108.80	84.40	
		THR			272.84	227.08	187.16	152.64	122.76	
	50	Q			186.00	150.20	119.60	94.00	72.52	
		THR			253.16	210.72	173.32	140.88	112.84	
KP-302-K-4FE-56Y	40	Q	158.40	130.40	106.60	86.20	68.90	54.40	42.20	
		THR	191.72	162.00	136.08	113.28	93.36	76.16	61.26	
	50	Q	138.60	114.00	93.00	75.10	59.80	47.00	36.26	
		THR	177.46	150.14	126.12	105.00	86.38	70.26	56.28	
	60	Q	118.60	97.50	79.40	63.80	50.60	39.52	30.22	
		THR	162.22	137.48	115.52	95.96	78.78	63.82	50.84	
KP-303-K-4FE-84Y	40	Q	237.60	195.60	159.90	129.30	103.35	81.60	63.30	
		THR	287.58	243.00	204.12	169.92	140.04	114.24	91.89	
	50	Q	207.90	171.00	139.50	112.65	89.70	70.50	54.39	
		THR	266.19	225.21	189.18	157.50	129.57	105.39	84.42	
	60	Q	177.90	146.25	119.10	95.70	75.90	59.28	45.33	
		THR	243.33	206.22	173.28	143.94	118.17	95.73	76.26	
KP-304-K-4FE-112Y	40	Q	316.80	260.80	213.20	172.40	137.80	108.80	84.40	
		THR	383.44	324.00	272.16	226.56	186.72	152.32	122.52	
	50	Q	277.20	228.00	186.00	150.20	119.60	94.00	72.52	
		THR	354.92	300.28	252.24	210.00	172.76	140.52	112.56	
	60	Q	237.20	195.00	158.80	127.60	101.20	79.04	60.44	
		THR	324.44	274.96	231.04	191.92	157.56	127.64	101.68	
KP-302-L-6J-E44Y	30	Q			111.00	89.40	71.20	55.80	43.00	
		THR			132.74	110.18	90.60	73.52	58.80	
	40	Q			97.70	78.40	62.00	48.10	36.56	
		THR			123.46	102.26	83.68	67.36	53.30	
	50	Q			84.20	67.00	52.50	40.30	30.10	
		THR			113.22	93.26	75.80	60.52	47.26	
KP-303-L-6JE-66Y	30	Q			166.50	134.10	106.80	83.70	64.50	
		THR			199.11	165.27	135.90	110.28	88.20	
	40	Q			146.55	117.60	93.00	72.15	54.84	
		THR			185.19	153.39	125.52	101.04	79.95	
	50	Q			126.30	100.50	78.75	60.45	45.15	
		THR			169.83	139.89	113.70	90.78	70.89	
KP-304-L-6JE-88Y	30	Q			222.00	178.80	142.40	111.60	86.00	
		THR			265.48	220.36	181.20	147.04	117.60	
	40	Q			195.40	156.80	124.00	96.20	73.12	
		THR			246.92	204.52	167.36	134.72	106.60	
	50	Q			168.40	134.00	105.00	80.60	60.20	
		THR			226.44	186.52	151.60	121.04	94.52	
KP-302-K-6JE-50Y	40	Q	145.00	118.80	96.40	77.30	61.10	47.40	36.04	
		THR	173.54	146.08	122.02	100.94	82.50	66.40	52.52	
	50	Q	125.40	102.40	82.80	66.00	51.70	39.68	29.66	
		THR	158.72	133.52	111.40	91.84	74.60	59.56	46.50	
	60	Q	105.60	85.90	69.00	54.60	42.30	31.98	23.36	
		THR	142.74	119.96	99.74	81.86	65.98	52.06	39.92	



PERFORMANCE DATA

Performance data, based on 20°C suction gas temperature; 50Hz

Unit Model	Cond. Temp. °C		Cooling Capacity		Q _o [kW]		Total Heat Rejection		THR [kW]	
			10	5	Evaporating Temperature °C					
					0	-5	-10	-15	-20	
KP-303-K-6JE-75Y	40	Q	217.50	178.20	144.60	115.95	91.65	71.10	54.06	
		THR	260.31	219.12	183.03	151.41	123.75	99.60	78.78	
	50	Q	188.10	153.60	124.20	99.00	77.55	59.52	44.49	
		THR	238.08	200.28	167.10	137.76	111.90	89.34	69.75	
	60	Q	158.40	128.85	103.50	81.90	63.45	47.97	35.04	
		THR	214.11	179.94	149.61	122.79	98.97	78.09	59.88	
KP-304-K-6JE-100Y	40	Q	290.00	237.60	192.80	154.60	122.20	94.80	72.08	
		THR	347.08	292.16	244.04	201.88	165.00	132.80	105.04	
	50	Q	250.80	204.80	165.60	132.00	103.40	79.36	59.32	
		THR	317.44	267.04	222.80	183.68	149.20	119.12	93.00	
	60	Q	211.20	171.80	138.00	109.20	84.60	63.96	46.72	
		THR	285.48	239.92	199.48	163.72	131.96	104.12	79.84	
KP-302-L-6HE-50Y	30	Q			129.00	104.00	83.00	65.30	50.50	
		THR			154.82	128.50	105.80	86.08	69.06	
	40	Q			113.60	91.40	72.60	56.70	43.40	
		THR			144.20	119.66	98.22	79.50	63.26	
	50	Q			98.10	78.60	62.00	48.00	36.26	
		THR			132.64	109.82	89.74	72.16	56.84	
KP-303-L-6HE-75Y	30	Q			193.50	156.00	124.50	97.95	75.75	
		THR			232.23	192.75	158.70	129.12	103.59	
	40	Q			170.40	137.10	108.90	85.05	65.10	
		THR			216.30	179.49	147.33	119.25	94.89	
	50	Q			147.15	117.90	93.00	72.00	54.39	
		THR			198.96	164.73	134.61	108.24	85.26	
KP-304-L-6HE-100Y	30	Q			258.00	208.00	166.00	130.60	101.00	
		THR			309.64	257.00	211.60	172.16	138.12	
	40	Q			227.20	182.80	145.20	113.40	86.80	
		THR			288.40	239.32	196.44	159.00	126.52	
	50	Q			196.20	157.20	124.00	96.00	72.52	
		THR			265.28	219.64	179.48	144.32	113.68	
KP-302-K-6HE-56Y	40	Q	170.20	139.60	113.60	91.40	72.60	56.70	43.40	
		THR	203.80	171.76	143.84	119.36	98.00	79.32	63.14	
	50	Q	147.60	121.00	98.10	78.60	62.00	48.00	36.26	
		THR	187.12	157.96	132.14	109.44	89.44	71.96	56.72	
	60	Q	125.00	102.20	82.40	65.60	51.30	39.26	29.18	
		THR	169.42	143.02	119.34	98.48	80.04	63.88	49.76	
KP-303-K-6HE-84Y	40	Q	255.30	209.40	170.40	137.10	108.90	85.05	65.10	
		THR	305.70	257.64	215.76	179.04	147.00	118.98	94.71	
	50	Q	221.40	181.50	147.15	117.90	93.00	72.00	54.39	
		THR	280.68	236.94	198.21	164.16	134.16	107.94	85.08	
	60	Q	187.50	153.30	123.60	98.40	76.95	58.89	43.77	
		THR	254.13	214.53	179.01	147.72	120.06	95.82	74.64	
KP-304-K-6HE-112Y	40	Q	340.40	279.20	227.20	182.80	145.20	113.40	86.80	
		THR	407.60	343.52	287.68	238.72	196.00	158.64	126.28	
	50	Q	295.20	242.00	196.20	157.20	124.00	96.00	72.52	
		THR	374.24	315.92	264.28	218.88	178.88	143.92	113.44	
	60	Q	250.00	204.40	164.80	131.20	102.60	78.52	58.36	
		THR	338.84	286.04	238.68	196.96	160.08	127.76	99.52	
KP-302-L-6GE-60Y	30	Q			149.80	121.40	97.40	77.20	60.30	
		THR			180.22	150.14	124.14	101.66	82.32	
	40	Q			132.60	107.40	86.00	67.90	52.80	
		THR			168.74	140.80	116.40	95.14	76.78	
	50	Q			115.20	93.20	74.40	58.50	45.20	
		THR			156.14	130.42	107.74	87.88	70.62	
KP-303-L-6GE-90Y	30	Q			224.70	182.10	146.10	115.80	90.45	
		THR			270.33	225.21	186.21	152.49	123.48	
	40	Q			198.90	161.10	129.00	101.85	79.20	
		THR			253.11	211.20	174.60	142.71	115.17	
	50	Q			172.80	139.80	111.60	87.75	67.80	
		THR			234.21	195.63	161.61	131.82	105.93	
KP-304-L-6GE-120Y	30	Q			299.60	242.80	194.80	154.40	120.60	
		THR			360.44	300.28	248.28	203.32	164.64	
	40	Q			265.20	214.80	172.00	135.80	105.60	
		THR			337.48	281.60	232.80	190.28	153.56	
	50	Q			230.40	186.40	148.80	117.00	90.40	
		THR			312.28	260.84	215.48	175.76	141.24	
KP-302-K-6GE-68Y	40	Q	194.20	159.80	130.20	105.00	83.60	65.60	50.60	
		THR	234.22	197.74	165.64	137.64	113.16	91.92	73.60	
	50	Q	168.20	138.20	112.40	90.40	71.70	55.90	42.70	
		THR	214.84	181.62	152.26	126.48	103.80	83.96	66.72	
	60	Q	142.20	116.60	94.80	76.00	59.90	46.30	34.82	
		THR	194.16	164.32	138.00	114.52	93.66	75.30	59.18	
KP-303-K-6GE-102Y	40	Q	291.30	239.70	195.30	157.50	125.40	98.40	75.90	
		THR	351.33	296.61	248.46	206.46	169.74	137.88	110.40	
	50	Q	252.30	207.30	168.60	135.60	107.55	83.85	64.05	
		THR	322.26	272.43	228.39	189.72	155.70	125.94	100.08	
	60	Q	213.30	174.90	142.20	114.00	89.85	69.45	52.23	
		THR	291.24	246.48	207.00	171.78	140.49	112.95	88.77	
KP-304-K-6GE-136Y	40	Q	388.40	319.60	260.40	210.00	167.20	131.20	101.20	
		THR	468.44	395.48	331.28	275.28	226.32	183.84	147.20	
	50	Q	336.40	276.40	224.80	180.80	143.40	111.80	85.40	
		THR	429.68	363.24	304.52	252.96	207.60	167.92	133.44	
	60	Q	284.40	233.20	189.60	152.00	119.80	92.60	69.64	
		THR	388.32	328.64	276.00	229.04	187.32	150.60	118.36	



R134a

PERFORMANCE DATA

Performance data, based on 20°C suction gas temperature; 50Hz

Unit Model	Cond. Temp. °C		Cooling Capacity Q_o [kW]			Total Heat Rejection			THR [kW]
			Evaporating Temperature °C						
			10	5	0	-5	-10	-15	
KP-302-L-6FE-80Y	30	Q			177.60	143.60	115.00	90.90	70.80
		THR			214.14	178.14	147.16	120.36	97.34
	40	Q			156.80	126.60	101.20	79.60	61.60
		THR			199.80	166.36	137.44	112.10	90.24
	50	Q			135.80	109.40	87.00	68.10	52.20
		THR			184.06	153.34	126.38	102.82	82.24
KP-303-L-6FE-120Y	30	Q			266.40	215.40	172.50	136.35	106.20
		THR			321.21	267.21	220.74	180.54	146.01
	40	Q			235.20	189.90	151.80	119.40	92.40
		THR			299.70	249.54	206.16	168.15	135.36
	50	Q			203.70	164.10	130.50	102.15	78.30
		THR			276.09	230.01	189.57	154.23	123.36
KP-304-L-6FE-160Y	30	Q			355.20	287.20	230.00	181.80	141.60
		THR			428.28	356.28	294.32	240.72	194.68
	40	Q			313.60	253.20	202.40	159.20	123.20
		THR			399.60	332.72	274.88	224.20	180.48
	50	Q			271.60	218.80	174.00	136.20	104.40
		THR			368.12	306.68	252.76	205.64	164.48
KP-302-K-6FE-88Y	40	Q	233.40	192.20	156.80	126.60	101.20	79.60	61.60
		THR	281.60	238.04	199.80	166.36	137.44	112.10	90.24
	50	Q	202.60	166.60	135.80	109.40	87.00	68.10	52.20
		THR	258.54	218.90	184.06	153.34	126.38	102.82	82.24
	60	Q	171.60	141.20	114.80	92.30	73.10	56.70	43.00
		THR	233.82	198.64	167.14	139.30	114.64	92.78	73.70
KP-303-K-6FE-132Y	40	Q	350.10	288.30	235.20	189.90	151.80	119.40	92.40
		THR	422.40	357.06	299.70	249.54	206.16	168.15	135.36
	50	Q	303.90	249.90	203.70	164.10	130.50	102.15	78.30
		THR	387.81	328.35	276.09	230.01	189.57	154.23	123.36
	60	Q	257.40	211.80	172.20	138.45	109.65	85.05	64.50
		THR	350.73	297.96	250.71	208.95	171.96	139.17	110.55
KP-304-K-6FE-176Y	40	Q	466.80	384.40	313.60	253.20	202.40	159.20	123.20
		THR	563.20	476.08	399.60	332.72	274.88	224.20	180.48
	50	Q	405.20	333.20	271.60	218.80	174.00	136.20	104.40
		THR	517.08	437.80	368.12	306.68	252.76	205.64	164.48
	60	Q	343.20	282.40	229.60	184.60	146.20	113.40	86.00
		THR	467.64	397.28	334.28	278.60	229.28	185.56	147.40

PERFORMANCE DATA

Performance data, based on 20°C suction gas temperature; 50Hz

Unit Model	Cond. Temp. °C		Cooling Capacity Q_o [kW]					Total Heat Rejection THR [kW]				
			Evaporating Temperature °C									
			5	0	-5	-10	-15	-20	-25	-30	-35	-40
MP-102-K-2DES-4Y	30	Q	25.98	21.62	17.82	14.54	11.72	9.28	7.18	5.42	3.92	
		THR	31.72	27.14	23.06	19.44	16.22	13.34	10.78	8.52	6.54	
	40	Q	22.08	18.34	15.08	12.24	9.80	7.70	5.88	4.36	3.06	
		THR	28.92	24.78	21.04	17.70	14.72	12.04	9.64	7.54	5.66	
	50	Q	17.92	14.84	12.14	9.78	7.74	5.98	4.48	3.20	2.14	
		THR	25.66	21.98	18.64	15.62	12.90	10.44	8.24	6.30	4.58	
MP-103-K-2DES-6Y	30	Q	38.97	32.43	26.73	21.81	17.58	13.92	10.77	8.13	5.88	
		THR	47.58	40.71	34.59	29.16	24.33	20.01	16.17	12.78	9.81	
	40	Q	33.12	27.51	22.62	18.36	14.70	11.55	8.82	6.54	4.59	
		THR	43.38	37.17	31.56	26.55	22.08	18.06	14.46	11.31	8.49	
	50	Q	26.88	22.26	18.21	14.67	11.61	8.97	6.72	4.80	3.21	
		THR	38.49	32.97	27.96	23.43	19.35	15.66	12.36	9.45	6.87	
MP-104-K-2DES-8Y	30	Q	51.96	43.24	35.64	29.08	23.44	18.56	14.36	10.84	7.84	
		THR	63.44	54.28	46.12	38.88	32.44	26.68	21.56	17.04	13.08	
	40	Q	44.16	36.68	30.16	24.48	19.60	15.40	11.76	8.72	6.12	
		THR	57.84	49.56	42.08	35.40	29.44	24.08	19.28	15.08	11.32	
	50	Q	35.84	29.68	24.28	19.56	15.48	11.96	8.96	6.40	4.28	
		THR	51.32	43.96	37.28	31.24	25.80	20.88	16.48	12.60	9.16	
MP-102-H-2DES-6Y	30	Q	31.00	25.98	21.62	17.82	14.54	11.72	9.28	7.18	5.42	
		THR	36.74	31.60	27.04	22.98	19.36	16.16	13.30	10.76	8.54	
	40	Q	26.36	22.08	18.34	15.08	12.24	9.80	7.70	5.88	4.36	
		THR	33.30	28.72	24.60	20.92	17.60	14.64	12.00	9.62	7.54	
	50	Q	21.44	17.92	14.84	12.14	9.78	7.74	5.98	4.48	3.20	
		THR	29.38	25.38	21.76	18.48	15.50	12.80	10.40	8.24	6.30	
MP-103-H-2DES-9Y	30	Q	46.50	38.97	32.43	26.73	21.81	17.58	13.92	10.77	8.13	
		THR	55.11	47.40	40.56	34.47	29.04	24.24	19.95	16.14	12.81	
	40	Q	39.54	33.12	27.51	22.62	18.36	14.70	11.55	8.82	6.54	
		THR	49.95	43.08	36.90	31.38	26.40	21.96	18.00	14.43	11.31	
	50	Q	32.16	26.88	22.26	18.21	14.67	11.61	8.97	6.72	4.80	
		THR	44.07	38.07	32.64	27.72	23.25	19.20	15.60	12.36	9.45	
MP-104-K-2DES-12Y	30	Q	62.00	51.96	43.24	35.64	29.08	23.44	18.56	14.36	10.84	
		THR	73.48	63.20	54.08	45.96	38.72	32.32	26.60	21.52	17.08	
	40	Q	52.72	44.16	36.68	30.16	24.48	19.60	15.40	11.76	8.72	
		THR	66.60	57.44	49.20	41.84	35.20	29.28	24.00	19.24	15.08	
	50	Q	42.88	35.84	29.68	24.28	19.56	15.48	11.96	8.96	6.40	
		THR	58.76	50.76	43.52	36.96	31.00	25.60	20.80	16.48	12.60	
MP-102-K-2CES-6Y	30	Q	31.78	26.50	21.90	17.92	14.50	11.54	9.00	6.84	5.00	
		THR	38.72	33.20	28.28	23.88	20.00	16.54	13.46	10.72	8.32	
	40	Q	27.10	22.56	18.62	15.18	12.22	9.66	7.46	5.58	4.00	
		THR	35.40	30.40	25.92	21.88	18.28	15.06	12.18	9.62	7.38	
	50	Q	22.12	18.36	15.08	12.24	9.76	7.62	5.78	4.22	2.90	
		THR	31.58	27.12	23.10	19.48	16.20	13.24	10.60	8.24	6.18	
MP-103-K-2CES-9Y	30	Q	47.67	39.75	32.85	26.88	21.75	17.31	13.50	10.26	7.50	
		THR	58.08	49.80	42.42	35.82	30.00	24.81	20.19	16.08	12.48	
	40	Q	40.65	33.84	27.93	22.77	18.33	14.49	11.19	8.37	6.00	
		THR	53.10	45.60	38.88	32.82	27.42	22.59	18.27	14.43	11.07	
	50	Q	33.18	27.54	22.62	18.36	14.64	11.43	8.67	6.33	4.35	
		THR	47.37	40.68	34.65	29.22	24.30	19.86	15.90	12.36	9.27	
MP-104-K-2CES-12Y	30	Q	63.56	53.00	43.80	35.84	29.00	23.08	18.00	13.68	10.00	
		THR	77.44	66.40	56.56	47.76	40.00	33.08	26.92	21.44	16.64	
	40	Q	54.20	45.12	37.24	30.36	24.44	19.32	14.92	11.16	8.00	
		THR	70.80	60.80	51.84	43.76	36.56	30.12	24.36	19.24	14.76	
	50	Q	44.24	36.72	30.16	24.48	19.52	15.24	11.56	8.44	5.80	
		THR	63.16	54.24	46.20	38.96	32.40	26.48	21.20	16.48	12.36	
MP-102-H-2CES-8Y	30	Q	37.84	26.50	21.90	17.92	14.50	11.54	9.00	6.84	5.00	
		THR	44.82	38.62	33.12	28.20	23.84	19.98	16.52	13.46	10.74	
	40	Q	32.30	27.10	22.56	18.62	15.18	12.22	9.66	7.46	5.58	
		THR	40.78	35.22	30.24	25.80	21.80	18.22	15.02	12.16	9.62	
	50	Q	26.38	22.12	18.36	15.08	12.24	9.76	7.62	5.78	4.22	
		THR	36.10	31.28	26.90	22.92	19.36	16.12	13.20	10.58	8.26	
MP-103-H-2CES-12Y	30	Q	56.76	47.67	39.75	32.85	26.88	21.75	17.31	13.50	10.26	
		THR	67.23	57.93	49.68	42.30	35.76	29.97	24.78	20.19	16.11	
	40	Q	48.45	40.65	33.84	27.93	22.77	18.33	14.49	11.19	8.37	
		THR	61.17	52.83	45.36	38.70	32.70	27.33	22.53	18.24	14.43	
	50	Q	39.57	33.18	27.54	22.62	18.36	14.64	11.43	8.67	6.33	
		THR	54.15	46.92	40.35	34.38	29.04	24.18	19.80	15.87	12.39	
MP-104-H-2CES-16Y	30	Q	75.68	63.56	53.00	43.80	35.84	29.00	23.08	18.00	13.68	
		THR	89.64	77.24	66.24	56.40	47.68	39.96	33.04	26.92	21.48	
	40	Q	64.60	54.20	45.12	37.24	30.36	24.44	19.32	14.92	11.16	
		THR	81.56	70.44	60.48	51.60	43.60	36.44	30.04	24.32	19.24	
	50	Q	52.76	44.24	36.72	30.16	24.48	19.52	15.24	11.56	8.44	
		THR	72.20	62.56	53.80	45.84	38.72	32.24	26.40	21.16	16.52	
MP-102-K-4FES-6Y	30	Q	35.02	28.92	23.68	19.22	15.40	12.20	9.50	7.28	5.44	
		THR	42.44	36.14	30.58	25.72	21.42	17.68	14.38	11.56	9.12	
	40	Q	29.68	24.52	20.08	16.28	13.04	10.28	7.98	6.06	4.50	
		THR	38.56	32.98	28.00	23.60	19.70	16.22	13.20	10.54	8.28	
	50	Q	24.06	19.88	16.28	13.16	10.50	8.24	6.34	4.76	3.46	
		THR	34.12	29.30	24.98	21.08	17.58	14.46	11.70	9.28	7.16	
MP-103-K-4FES-9Y	30	Q	52.53	43.38	35.52	28.83	23.10	18.30	14.25	10.92	8.16	
		THR	63.66	54.21	45.87	38.58	32.13	26.52	21.57	17.34	13.68	
	40	Q	44.52	36.78	30.12	24.42	19.56	15.42	11.97	9.09	6.75	
		THR	57.84	49.47	42.00	35.40	29.55	24.33	19.80	15.81	12.42	
	50	Q	36.09	29.82	24.42	19.74	15.75	12.36	9.51	7.14	5.19	
		THR	51.18	43.95	37.47	31.62	26.37	21.69	17.55	13.92	10.74	



PERFORMANCE DATA

Performance data, based on 20°C suction gas temperature; 50Hz

Unit Model	Cond. Temp. °C		Cooling Capacity Q _o [kW]						Total Heat Rejection THR [kW]			
			Evaporating Temperature °C									
			5	0	-5	-10	-15	-20	-25	-30	-35	-40
KP-304-K-6GE-136Y	30	Q	491.60	410.80	340.80	280.00	228.00	183.00	144.80	112.40	85.20	
		THR	602.32	516.80	440.88	373.16	313.48	260.32	213.64	172.68	137.12	
	40	Q	420.80	351.60	291.60	239.20	194.20	155.60	122.40	94.40	70.64	
		THR	551.28	474.36	405.60	343.72	288.72	239.80	196.24	158.04	124.48	
	50	Q	348.80	291.20	241.20	197.60	159.80	127.20	99.40	75.68	55.72	
		THR	497.76	429.32	367.76	312.04	261.88	216.80	176.72	141.08	109.88	
KP-302-H-6GE-80Y	30	Q	287.40	240.80	200.60	165.60	135.40	109.40	87.10	68.10	52.00	
		THR	341.48	293.38	251.00	213.28	179.86	150.30	124.14	101.12	80.90	
	40	Q	244.40	204.80	170.40	140.40	114.40	92.00	72.80	56.40	42.50	
		THR	308.10	265.62	227.78	193.84	163.52	136.52	112.52	91.22	72.42	
	50	Q	200.80	168.20	139.80	114.80	93.10	74.40	58.20	44.40	32.78	
		THR	273.06	236.30	203.22	173.12	146.00	121.66	99.68	80.08	62.70	
KP-303-H-6GE-120Y	30	Q	431.10	361.20	300.90	248.40	203.10	164.10	130.65	102.15	78.00	
		THR	512.22	440.07	376.50	319.92	269.79	225.45	186.21	151.68	121.35	
	40	Q	366.60	307.20	255.60	210.60	171.60	138.00	109.20	84.60	63.75	
		THR	462.15	398.43	341.67	290.76	245.28	204.78	168.78	136.83	108.63	
	50	Q	301.20	252.30	209.70	172.20	139.65	111.60	87.30	66.60	49.17	
		THR	409.59	354.45	304.83	259.68	219.00	182.49	149.52	120.12	94.05	
KP-304-H-6GE-160Y	30	Q	574.80	481.60	401.20	331.20	270.80	218.80	174.20	136.20	104.00	
		THR	682.96	586.76	502.00	426.56	359.72	300.60	248.28	202.24	161.80	
	40	Q	488.80	409.60	340.80	280.80	228.80	184.00	145.60	112.80	85.00	
		THR	616.20	531.24	455.56	387.68	327.04	273.04	225.04	182.44	144.84	
	50	Q	401.60	336.40	279.60	229.60	186.20	148.80	116.40	88.80	65.56	
		THR	546.12	472.60	406.44	346.24	292.00	243.32	199.36	160.16	125.40	
KP-302-K-6FE-88Y	30	Q	296.20	247.20	204.80	168.20	136.60	109.40	86.20	66.60	50.10	
		THR	363.10	311.56	265.84	225.24	189.14	157.06	128.72	103.90	82.20	
	40	Q	253.20	211.40	175.00	143.60	116.20	92.70	72.50	55.40	40.90	
		THR	331.14	285.04	243.68	206.78	173.46	143.80	117.30	93.92	73.28	
	50	Q	208.80	174.40	144.40	118.20	95.30	75.50	58.50	43.80	31.32	
		THR	296.20	255.82	219.28	186.10	155.96	128.76	104.36	82.40	62.92	
KP-303-K-6FE-132Y	30	Q	444.30	370.80	307.20	252.30	204.90	164.10	129.30	99.90	75.15	
		THR	544.65	467.34	398.76	337.86	283.71	235.59	193.08	155.85	123.30	
	40	Q	379.80	317.10	262.50	215.40	174.30	139.05	108.75	83.10	61.35	
		THR	496.71	427.56	365.52	310.17	260.19	215.70	175.95	140.88	109.92	
	50	Q	313.20	261.60	216.60	177.30	142.95	113.25	87.75	65.70	46.98	
		THR	444.30	383.73	328.92	279.15	233.94	193.14	156.54	123.60	94.38	
KP-304-K-6FE-176Y	30	Q	592.40	494.40	409.60	336.40	273.20	218.80	172.40	133.20	100.20	
		THR	726.20	623.12	531.68	450.48	378.28	314.12	257.44	207.80	164.40	
	40	Q	506.40	422.80	350.00	287.20	232.40	185.40	145.00	110.80	81.80	
		THR	662.28	570.08	487.36	413.56	346.92	287.60	234.60	187.84	146.56	
	50	Q	417.60	348.80	288.80	236.40	190.60	151.00	117.00	87.60	62.64	
		THR	592.40	511.64	438.56	372.20	311.92	257.52	208.72	164.80	125.84	
KP-302-H-6FE-100Y	30	Q	349.00	292.80	244.00	201.60	165.00	133.40	106.40	83.30	63.80	
		THR	415.82	357.98	306.60	260.86	220.26	184.16	152.26	124.04	99.28	
	40	Q	297.00	249.20	207.60	171.40	139.80	112.60	89.20	69.20	52.20	
		THR	376.12	324.80	278.90	237.72	200.62	167.52	137.96	111.66	88.36	
	50	Q	243.40	204.40	170.20	140.20	114.20	91.40	71.70	54.80	40.30	
		THR	333.00	288.70	248.52	212.00	179.06	149.04	121.96	97.64	75.84	
KP-303-H-6FE-150Y	30	Q	523.50	439.20	366.00	302.40	247.50	200.10	159.60	124.95	95.70	
		THR	623.73	536.97	459.90	391.29	330.39	276.24	228.39	186.06	148.92	
	40	Q	445.50	373.80	311.40	257.10	209.70	168.90	133.80	103.80	78.30	
		THR	564.18	487.20	418.35	356.58	300.93	251.28	206.94	167.49	132.54	
	50	Q	365.10	306.60	255.30	210.30	171.30	137.10	107.55	82.20	60.45	
		THR	499.50	433.05	372.78	318.00	268.59	223.56	182.94	146.46	113.76	
KP-304-H-6FE-200Y	30	Q	698.00	585.60	488.00	403.20	330.00	266.80	212.80	166.60	127.60	
		THR	831.64	715.96	613.20	521.72	440.52	368.32	304.52	248.08	198.56	
	40	Q	594.00	498.40	415.20	342.80	279.60	225.20	178.40	138.40	104.40	
		THR	752.24	649.60	557.80	475.44	401.24	335.04	275.92	223.32	176.72	
	50	Q	486.80	408.80	340.40	280.40	228.40	182.80	143.40	109.60	80.60	
		THR	666.00	577.40	497.04	424.00	358.12	298.08	243.92	195.28	151.68	



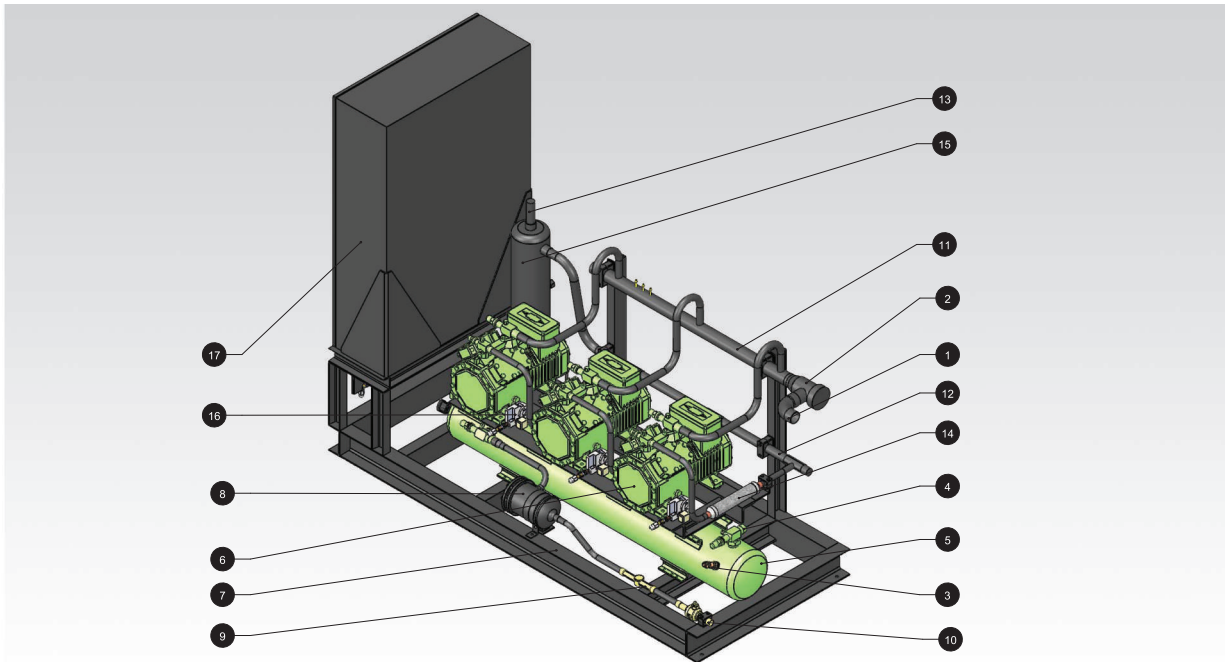
PERFORMANCE DATA

Performance data, based on 20°C suction gas temperature; 50Hz

Unit Model	Cond. Temp. °C		Cooling Capacity Q _o [kW]						Total Heat Rejection THR [kW]			
			Evaporating Temperature °C									
			-25	-30	-35	-40	-45	-50	-55	-60	-65	-70
CP704-L-S6H-80.2Y	30	Q	127.46	109.76	93.16	77.73	63.61	50.99	40.03	30.74	23.07	16.91
		THR	193.17	169.84	147.73	126.94	107.62	90.02	74.28	60.49	48.59	38.51
	40	Q	122.34	105.37	89.31	74.39	60.87	48.90	38.51	29.64	22.14	
		THR	196.48	172.96	150.57	129.56	110.17	92.56	76.80	62.80	50.41	
	50	Q	117.25	100.70	85.29	71.18	58.46	47.14	37.08			
		THR	199.77	175.84	153.32	132.36	113.06	95.41	79.28			
CP702-L-S6G-50.2Y	30	Q	72.40	62.54	53.20	44.45	36.41	29.21	22.94	17.64	13.25	9.73
		THR	110.08	97.08	84.61	72.77	61.71	51.59	42.54	34.62	27.82	22.13
	40	Q	69.72	60.13	51.01	42.53	34.82	27.98	22.05	16.98	12.68	
		THR	112.26	98.93	86.20	74.22	63.14	53.07	44.05	36.03	28.93	
	50	Q	66.84	57.43	48.68	40.65	33.41	26.95	21.21			
		THR	114.25	100.59	87.74	75.77	64.74	54.64	45.41			
CP703-L-S6G-75.2Y	30	Q	108.61	93.81	79.80	66.68	54.62	43.82	34.41	26.45	19.88	14.60
		THR	165.12	145.62	126.91	109.15	92.56	77.38	63.81	51.92	41.74	33.19
	40	Q	104.58	90.19	76.52	63.80	52.23	41.97	33.08	25.47	19.02	
		THR	168.39	148.40	129.31	111.33	94.72	79.61	66.07	54.04	43.40	
	50	Q	100.26	86.15	73.01	60.98	50.12	40.43	31.81			
		THR	171.38	150.88	131.60	113.66	97.11	81.97	68.11			
CP704-L-S6G-100.2Y	30	Q	144.81	125.08	106.40	88.90	72.82	58.42	45.88	35.27	26.50	19.47
		THR	220.16	194.16	169.22	145.54	123.41	103.17	85.08	69.23	55.65	44.26
	40	Q	139.44	120.26	102.03	85.06	69.64	55.96	44.10	33.96	25.36	
		THR	224.52	197.87	172.41	148.44	126.29	106.15	88.09	72.05	57.87	
	50	Q	133.68	114.86	97.35	81.30	66.82	53.90	42.41			
		THR	228.50	201.18	175.47	151.54	129.48	109.29	90.81			
CP702-L-S6F-60.2Y	30	Q	86.80	74.73	63.44	52.95	43.37	34.81	27.36	21.05	15.82	11.59
		THR	131.86	116.02	100.99	86.83	73.66	61.64	50.89	41.45	33.31	26.40
	40	Q	82.92	71.42	60.57	50.52	41.40	33.33	26.31	20.28	15.16	
		THR	133.31	117.61	102.60	88.43	75.30	63.33	52.58	43.03	34.61	
	50	Q	78.95	67.90	57.63	48.21	39.70	32.08	25.27			
		THR	135.08	119.27	104.28	90.23	77.20	65.23	54.25			
CP703-L-S6F-90.2Y	30	Q	130.19	112.09	95.16	79.43	65.05	52.21	41.04	31.58	23.73	17.39
		THR	197.79	174.03	151.49	130.24	110.49	92.46	76.34	62.18	49.96	39.60
	40	Q	124.38	107.12	90.86	75.78	62.11	49.99	39.46	30.43	22.74	
		THR	199.97	176.42	153.90	132.65	112.95	95.00	78.88	64.55	51.91	
	50	Q	118.43	101.85	86.44	72.32	59.55	48.13	37.90			
		THR	202.63	178.91	156.42	135.34	115.81	97.85	81.38			
CP704-L-S6F-120.2Y	30	Q	173.59	149.46	126.88	105.90	86.73	69.61	54.72	42.10	31.64	23.19
		THR	263.72	232.04	201.98	173.66	147.32	123.28	101.78	82.91	66.61	52.80
	40	Q	165.84	142.83	121.14	101.04	82.81	66.65	52.61	40.57	30.32	
		THR	266.62	235.23	205.20	176.87	150.60	126.66	105.17	86.06	69.21	
	50	Q	157.90	135.80	115.25	96.42	79.40	64.17	50.54			
		THR	270.17	238.54	208.56	180.45	154.41	130.46	108.51			

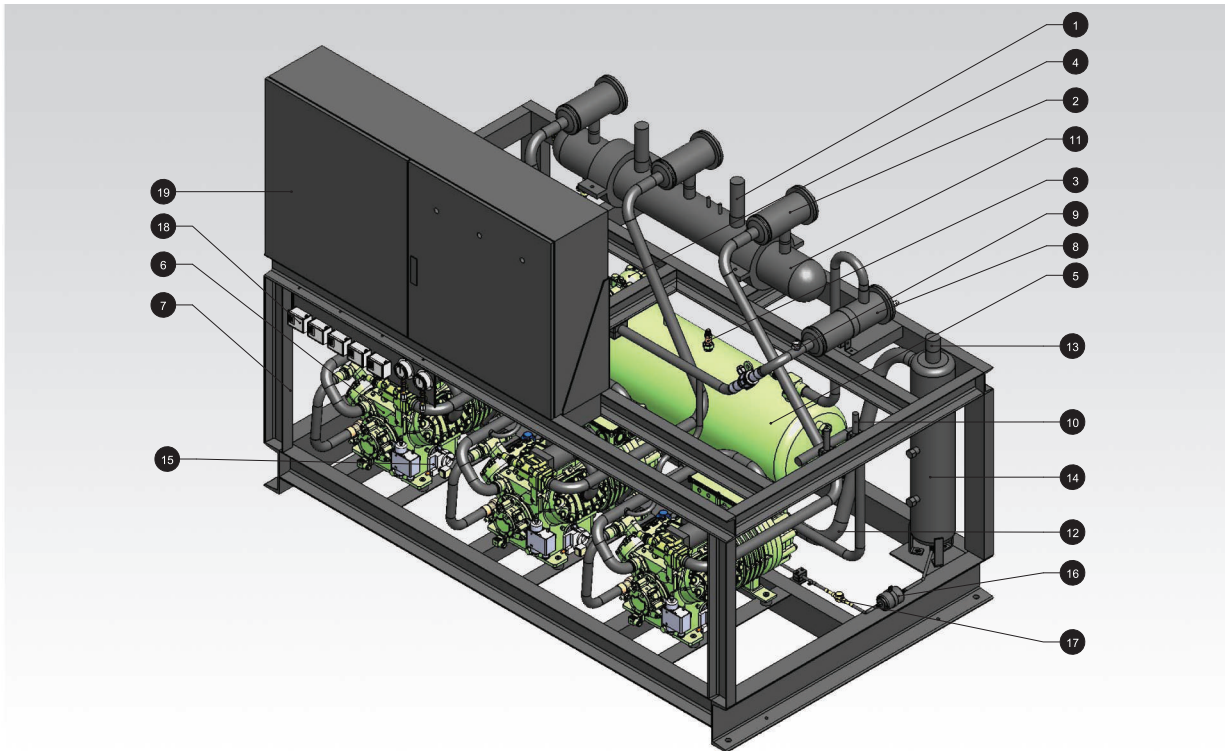
PRODUCT LAYOUT BY FRAME

MP 100 / 200 / 300



- | | | |
|---|----------------------------------|-------------------------------------|
| 1 Suction connections | 7 Solid metal frame | 13 Discharge connection |
| 2 Single suction demountable filter | 8 Liquid line filter demountable | 14 Vibration eliminator |
| 3 Liquid receiver pressure relief valve | 9 Liquid line sight glass | 15 Oil separator |
| 4 Liquid receiver inlet connection | 10 Liquid outlet connection | 16 Electronic oil return and safety |
| 5 Liquid receiver | 11 Suction header | 17 Electrical panel |
| 6 Bitzer reciprocating compressor | 12 Discharge header | 18 Pressure safety switches * |
| | | * not visible in the drawing |

CP 700

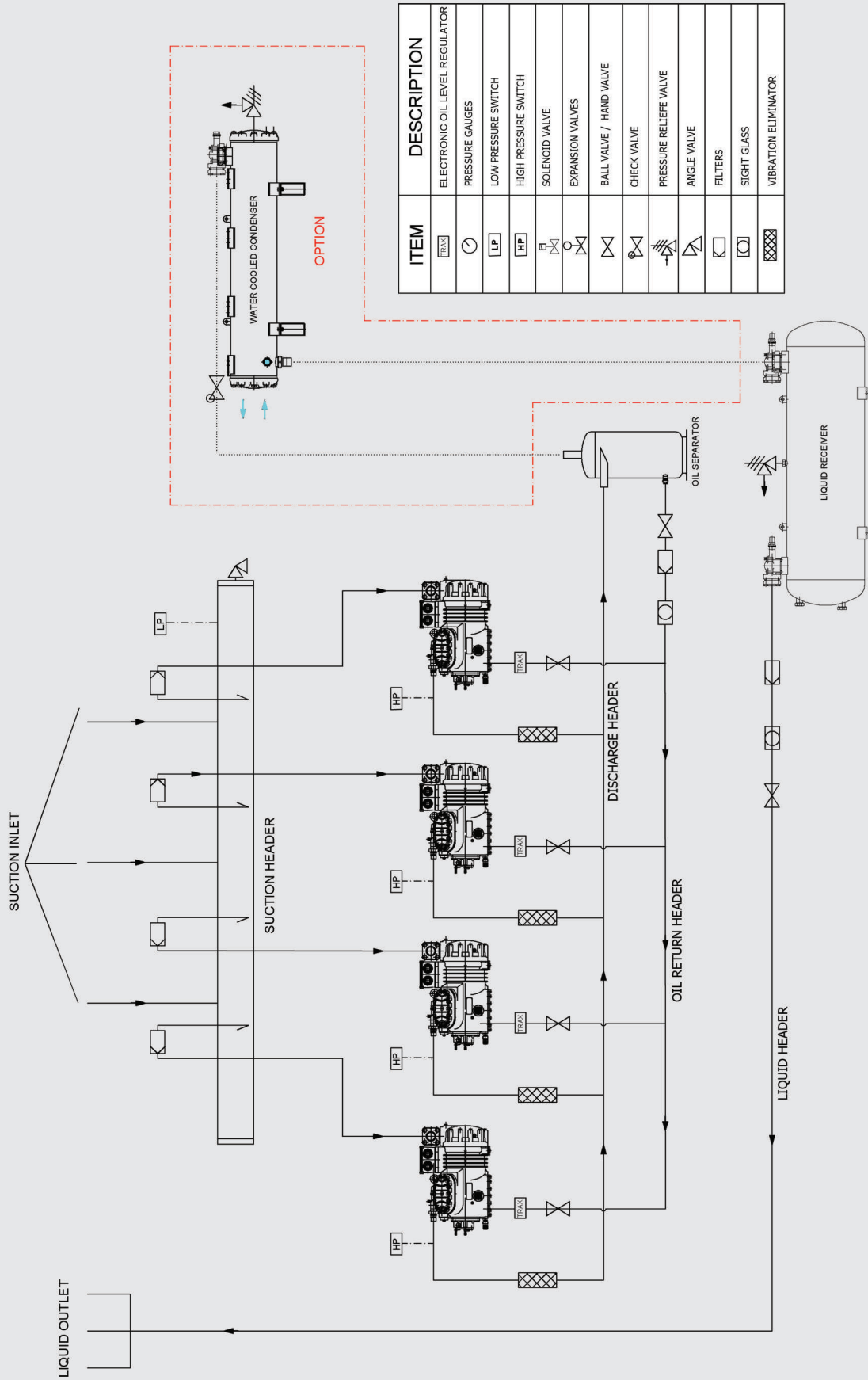


- | | | |
|---|----------------------------------|-------------------------------------|
| 1 Suction connections | 8 Liquid line filter demountable | 15 Electronic oil return and safety |
| 2 Suction filter demountable per compressor | 9 Liquid line sight glass | 16 Oil line filter |
| 3 Liquid receiver pressure relief valve | 10 Liquid outlet connection | 17 Oil line sight glass |
| 4 Liquid receiver inlet connection | 11 Suction header | 18 Pressure safety switch |
| 5 Liquid receiver | 12 Discharge header | 19 Electrical panel |
| 6 Bitzer reciprocating compressor | 13 Discharge connection | |
| 7 Solid metal frame | 14 Oil separator | |



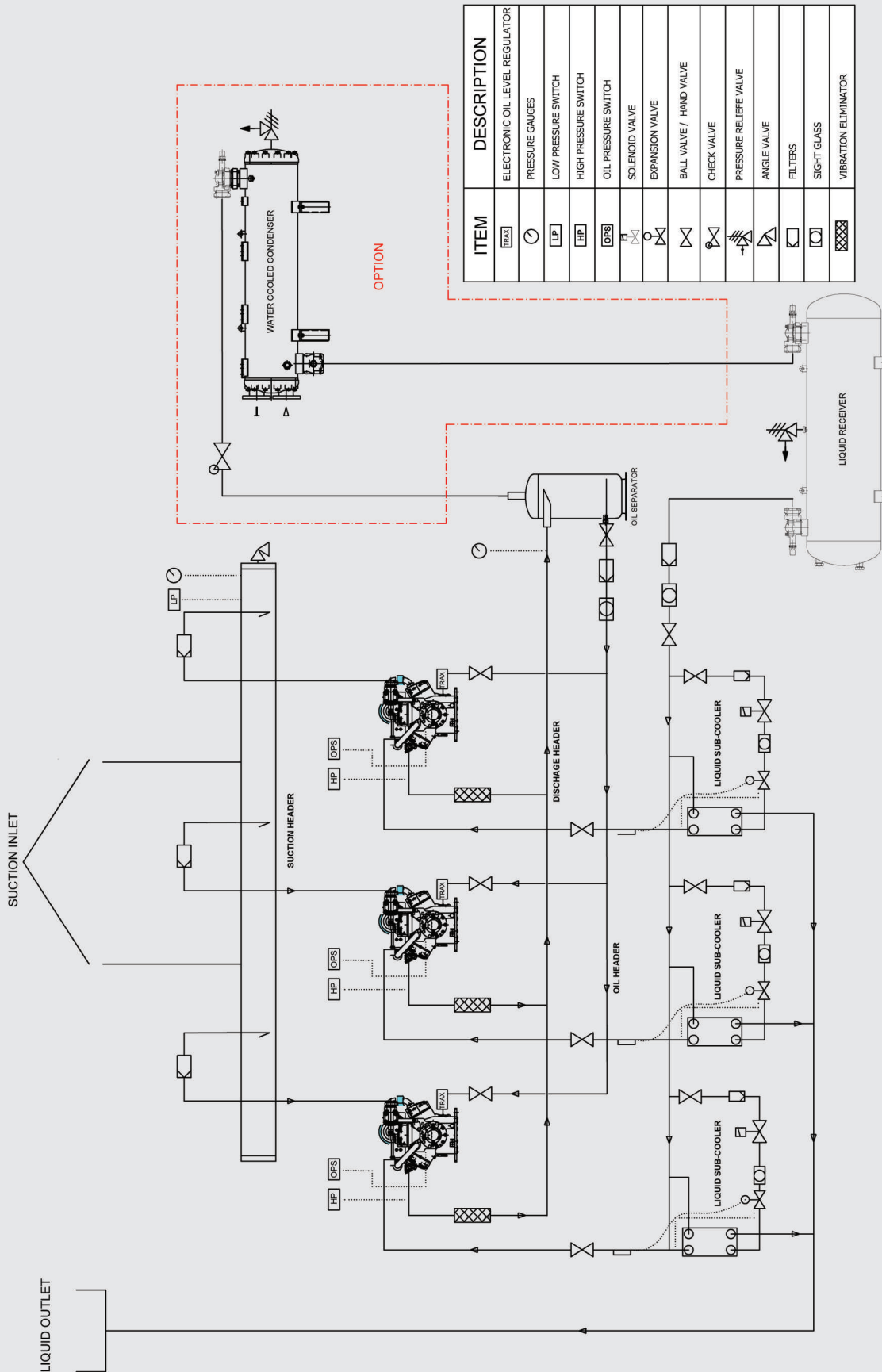
SAMPLE SCHEMATIC DIAGRAM

MP 304



SAMPLE SCHEMATIC DIAGRAM

CP 703





TECHNICAL DATA

MODEL	No. of comp.	Total displacement (m ³ /h)	System		Oil Separator Charge (dm ³)	Liquid receiver pump down (kg)		
			Voltage (V) / Phase	Max current (Amps)		R134a	R404A	
MP-102-K-2DES-4Y	2	26.8	380-420 / 3 / 50	15.0	7	43	37.5	
MP-103-K-2DES-6Y	3	40.2		22.5	7	59.6	51.9	
MP-104-K-2DES-8Y	4	53.2		30.0	7	59.6	51.9	
MP-102-H-2DES-6Y	2	26.8		17.2	7	43	37.5	
MP-103-H-2DES-9Y	3	40.2		25.2	7	59.6	51.9	
MP-104-H-2DES-12Y	4	53.2		34.4	7	59.6	51.9	
MP-102-K-2CES-6Y	2	32.4		18.2	7	43	37.5	
MP-103-K-2CES-9Y	3	48.6		27.3	7	59.6	51.9	
MP-104-K-2CES-12Y	4	64.8		36.4	7	59.6	51.9	
MP-102-H-2CES-8Y	2	32.4		20.0	7	43	37.5	
MP-103-H-2CES-12Y	3	48.6		30.0	7	59.6	51.9	
MP-104-H-2CES-16Y	4	64.8		40.0	7	59.6	51.9	
MP-102-K-4FES-6Y	2	36.2		19.0	7	43	37.5	
MP-103-K-4FES-9Y	3	54.3		28.5	7	59.6	51.9	
MP-104-K-4FES-12Y	4	72.4		38.0	7	59.6	51.9	
MP-102-H-4FES-10Y	2	36.2		21.6	7	43	37.5	
MP-103-H-4FES-15Y	3	54.3		32.4	7	59.6	51.9	
MP-104-H-4FES-20Y	4	72.4		43.2	7	59.6	51.9	
MP-102-K-4EES-8Y	2	45.4		24.4	7	43	37.5	
MP-103-K-4EES-12Y	3	68.1		36.6	7	59.6	51.9	
MP-104-K-4EES-16Y	4	90.8		48.8	7	59.6	51.9	
MP-102-H-4EES-12Y	2	45.4		27.2	7	43	37.5	
MP-103-H-4EES-18Y	3	68.1		40.8	7	59.6	51.9	
MP-104-H-4EES-24Y	4	90.8		54.4	7	59.6	51.9	
MP-102-K-4DES-10Y	2	53.6		29.0	7	43	37.5	
MP-103-K-4DES-15Y	3	80.4		43.5	7	59.6	51.9	
MP-104-K-4DES-20Y	4	107.2		58.0	7	59.6	51.9	
MP-102-H-4DES-14Y	2	53.6		33.0	7	43	37.5	
MP-103-H-4DES-21Y	3	80.4		49.5	7	59.6	51.9	
MP-104-H-4DES-28Y	4	107.2		66.0	7	59.6	51.9	
MP-102-K-4CES-12Y	2	65.0		35.4	7	43	37.5	
MP-103-K-4CES-18Y	3	97.5		53.1	7	59.6	51.9	
MP-104-K-4CES-24Y	4	130.0		70.8	7	59.6	51.9	
MP-102-H-4CES-18Y	2	65.0		40.4	7	43	37.5	
MP-103-H-4CES-27Y	3	97.5		60.6	7	59.6	51.9	
MP-104-H-4CES-36Y	4	130.0		80.8	7	59.6	51.9	
MP-202-L-4VES-12Y	2	69.4		380-420 / 3 / 50	18.8	7	80.5	N/A *
MP-203-L-4VES-18Y	3	104.1			28.2	7	80.5	N/A *
MP-204-L-4VES-24Y	4	138.8			37.6	7	80.5	N/A *
MP-202-K-4VES-14Y	2	69.4			33.2	7	80.5	70.2
MP-203-K-4VES-21Y	3	104.1			49.8	7	80.5	70.2
MP-204-K-4VES-28Y	4	138.8			66.4	7	80.5	70.2
MP-202-H-4VES-20Y	2	69.4			39.8	7	80.5	70.2
MP-203-H-4VES-30Y	3	104.1			59.7	7	80.5	70.2
MP-204-H-4VES-40Y	4	138.8			79.6	7	80.5	70.2
MP-202-L-4TES-16Y	2	82.6			22.8	7	80.5	N/A *
MP-203-L-4TES-24Y	3	123.9			34.2	7	80.5	N/A *
MP-204-L-4TES-32Y	4	165.2			45.6	7	80.5	N/A *
MP-202-K-4TES-18Y	2	82.6			39.8	7	80.5	70.2
MP-203-K-4TES-27Y	3	123.9			59.7	7	80.5	70.2
MP-204-K-4TES-36Y	4	165.2			79.6	7	80.5	70.2
MP-202-H-4TES-24Y	2	82.6			50.2	7	80.5	70.2
MP-203-H-4TES-36Y	3	123.9			75.3	7	80.5	70.2
MP-204-H-4TES-48Y	4	165.2			100.4	7	80.5	70.2
MP-202-L-4PES-20Y	2	97.0			25.8	7	80.5	N/A *
MP-203-L-4PES-30Y	3	145.5			38.7	7	98.2	N/A *
MP-204-L-4PES-40Y	4	194.0			51.6	7	98.2	N/A *
MP-202-K-4PES-24Y	2	97.0			45.4	7	80.5	70.2
MP-203-K-4PES-36Y	3	145.5	68.1		7	98.2	85.5	
MP-204-K-4PES-48Y	4	194.0	90.8		7	98.2	85.5	
MP-202-H-4PES-30Y	2	97.0	56.4		7	80.5	70.2	
MP-203-H-4PES-45Y	3	145.5	84.6		7	98.2	85.5	
MP-204-H-4PES-60Y	4	194.0	112.8		7	98.2	85.5	

TECHNICAL DATA

MODEL	No. of comp.	Total displacement (m ³ /h)	System		Oil Separator Charge (dm ³)	Liquid receiver pump down (kg)	
			Voltage (V) / Phase	Max current (Amps)		R134a	R404A
MP-202-L-4NES-24Y	2	112.4	380-420 / 3 / 50	29.8	7	80.5	N/A *
MP-203-L-4NES-36Y	3	168.6		44.7	7	98.2	
MP-204-L-4NES-48Y	4	224.8		59.6	7	98.2	
MP-202-K-4NES-28Y	2	112.4		53.2	7	80.5	70.2
MP-203-K-4NES-42Y	3	168.6		79.8	7	98.2	85.5
MP-204-K-4NES-56Y	4	224.8		106.4	7	98.2	85.5
MP-202-H-4NES-40Y	2	112.4		66.4	7	80.5	70.2
MP-203-H-4NES-60Y	3	168.6		99.6	7	98.2	85.5
MP-204-H-4NES-80Y	4	224.8		132.8	7	98.2	85.5

* motor version L only available for R134A

MP-302-L-4JE-26Y	2	127.0	380-420 / 3 / 50	37.6	7	98.2	N/A *
MP-303-L-4JE-39Y	3	193.5		56.4	7	98.2	
MP-304-L-4JE-52Y	4	262.0		75.2	7	123.6	
MP-302-K-4JE-30Y	2	127.0		61.6	7	98.2	85.5
MP-303-K-4JE-45Y	3	193.5		92.4	7	98.2	85.5
MP-304-K-4JE-60Y	4	262.0		123.2	7	123.6	107.7
MP-302-H-4JE-44Y	2	127.0		74.4	7	98.2	85.5
MP-303-H-4JE-66Y	3	193.5		111.6	7	98.2	85.5
MP-304-H-4JE-88Y	4	262.0		148.8	7	123.6	107.7
MP-302-L-4HE-30Y	2	147.4		42.8	7	98.2	N/A *
MP-303-L-4HE-45Y	3	221.1		64.2	7	98.2	
MP-304-L-4HE-60Y	4	294.8		85.6	7	123.6	
MP-302-K-4HE-36Y	2	147.4		73.4	7	98.2	85.5
MP-303-K-4HE-54Y	3	221.1		110.1	7	98.2	85.5
MP-304-K-4HE-72Y	4	294.8		146.8	7	123.6	107.7
MP-302-H-4HE-50Y	2	147.4		88.0	7	98.2	85.5
MP-303-H-4HE-75Y	3	221.1		132.0	7	98.2	85.5
MP-304-H-4HE-100Y	4	294.8		176.0	7	123.6	107.7
MP-302-L-4GE-40Y	2	169.2		49.2	7	98.2	N/A *
MP-303-L-4GE-60Y	3	253.8		73.8	7	123.6	
MP-304-L-4GE-80Y	4	338.4		98.4	7	123.6	
MP-302-K-4GE-46Y	2	169.2		87.8	7	98.2	85.5
MP-303-K-4GE-69Y	3	253.8		131.7	7	123.6	107.7
MP-304-K-4GE-92Y	4	338.4		175.6	7	123.6	107.7
MP-302-H-4GE-60Y	2	169.2		102.4	7	98.2	85.5
MP-303-H-4GE-90Y	3	253.8		153.6	7	123.6	107.7
MP-304-H-4GE-120Y	4	338.4		204.8	7	123.6	107.7
MP-302-L-4FE-50Y	2	203.6		61.0	7	98.2	N/A *
MP-303-L-4FE-75Y	3	305.4		91.5	7	123.6	
MP-304-L-4FE-100Y	4	407.2		122.0	7	123.6	
MP-302-K-4FE-56Y	2	203.6		105.6	7	98.2	85.5
MP-303-K-4FE-84Y	3	305.4		158.4	7	123.6	107.7
MP-304-K-4FE-112Y	4	407.2		211.2	7	123.6	107.7
MP-302-H-4FE-70Y	2	203.6		124.2	7	98.2	85.5
MP-303-H-4FE-105Y	3	305.4		186.3	7	123.6	107.7
MP-304-H-4FE-140Y	4	407.2		248.4	7	123.6	107.7
MP-302-L-6JE-44Y	2	190.6		53.2	7	98.2	N/A *
MP-303-L-6JE-66Y	3	285.9		79.8	7	123.6	
MP-304-L-6JE-88Y	4	381.2		106.4	7	123.6	
MP-302-K-6JE-50Y	2	190.6		92.8	7	98.2	85.5
MP-303-K-6JE-75Y	3	285.9	139.2	7	123.6	107.7	
MP-304-K-6JE-100Y	4	381.2	185.6	7	123.6	107.7	
MP-302-H-6JE-66Y	2	190.6	106.4	7	98.2	85.5	
MP-303-H-6JE-99Y	3	285.9	159.6	7	123.6	107.7	
MP-304-H-6JE-132Y	4	381.2	212.8	7	123.6	107.7	
MP-302-L-6HE-50Y	2	221.0	62.6	7	98.2	N/A *	
MP-303-L-6HE-75Y	3	331.5	93.9	7	123.6		
MP-304-L-6HE-100Y	4	442.0	125.2	7	123.6		
MP-302-K-6HE-56Y	2	221.0	106.4	7	98.2	85.5	
MP-303-K-6HE-84Y	3	331.5	159.6	7	123.6	107.7	
MP-304-K-6HE-112Y	4	442.0	212.8	7	123.6	107.7	



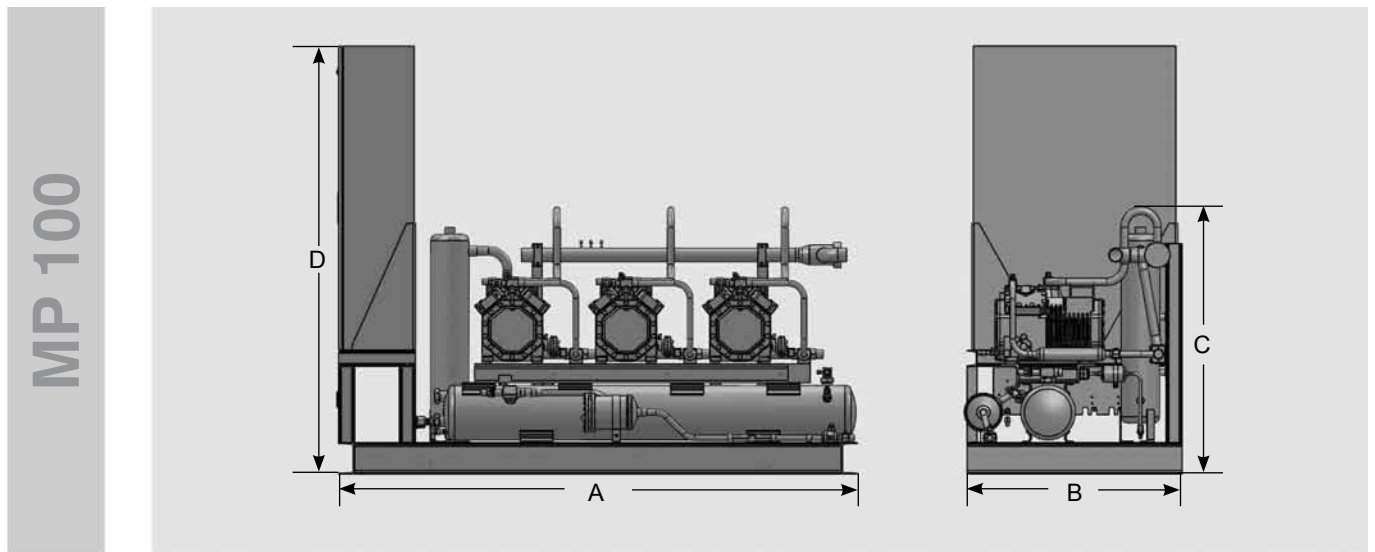
TECHNICAL DATA

MODEL	No. of comp.	Total displacement (m ³ /h)	System		Oil Separator Charge (dm ³)	Liquid receiver pump down (kg)	
			Voltage (V) / Phase	Max current (Amps)		R134a	R404A
MP-302-H-6HE-70Y	2	221.0	380-420 / 3 / 50	128.8	7	98.2	85.5
MP-303-H-6HE-105Y	3	331.5		193.2	7	123.6	107.7
MP-304-H-6HE-140Y	4	442.0		257.6	7	123.6	107.7
MP-302-L-6GE-60Y	2	253.6		76.0	7	98.2	
MP-303-L-6GE-90Y	3	380.4		114.0	7	123.6	N/A *
MP-304-L-6GE-120Y	4	507.2		154.0	7	123.6	
MP-302-K-6GE-68Y	2	253.6		131.0	7	98.2	85.5
MP-303-K-6GE-102Y	3	380.4		196.5	7	123.6	107.7
MP-304-K-6GE-136Y	4	507.2		262.0	7	123.6	107.7
MP-302-H-6GE-80Y	2	253.6		147.8	7	98.2	85.5
MP-303-H-6GE-120Y	3	380.4		221.7	7	123.6	107.7
MP-304-H-6GE-160Y	4	507.2		295.6	7	123.6	107.7
MP-302-L-6FE-80Y	2	303.2		97.0	7	98.2	
MP-303-L-6FE-120Y	3	454.8		145.5	7	123.6	N/A *
MP-304-L-6FE-160Y	4	606.4		194.0	7	123.6	
MP-302-K-6FE-88Y	2	303.2		166.4	7	98.2	85.5
MP-303-K-6FE-132Y	3	454.8		249.6	7	123.6	107.7
MP-304-K-6FE-176Y	4	606.4		332.8	7	123.6	107.7
MP-302-H-6FE-100Y	2	303.2		192.4	7	98.2	85.5
MP-303-H-6FE-150Y	3	454.8		288.6	7	123.6	107.7
MP-304-H-6FE-200Y	4	606.4	384.8	7	251.6	219.2	

* motor version L only available for R134A

CP-702-L-S4T-10.2(Y)	2	25.2	380-420 / 3 / 50	28	7	98.2	85.5
CP-703-L-S4T-15.2(Y)	3	37.8		42	7	98.2	85.5
CP-704-L-S4T-20.2(Y)	4	50.4		56	7	123.6	107.7
CP-702-L-S4N-16.2(Y)	2	35.8		34	7	98.2	85.5
CP-703-L-S4N-24.2(Y)	3	53.7		51	7	98.2	85.5
CP-704-L-S4N-32.2(Y)	4	71.6		68	7	123.6	107.7
CP-702-L-S4G-24.2(Y)	2	54.0		48	7	98.2	85.5
CP-703-L-S4G-36.2(Y)	3	81.0		72	7	98.2	85.5
CP-704-L-S4G-48.2(Y)	4	108.0		96	7	123.6	107.7
CP-702-L-S6J-32.2(Y)	2	63.6		62	7	98.2	85.5
CP-703-L-S6J-48.2(Y)	3	95.4		93	7	98.2	85.5
CP-704-L-S6J-64.2(Y)	4	127.2		124	7	123.6	107.7
CP-702-L-S6H-40.2(Y)	2	73.8		74	7	98.2	85.5
CP-703-L-S6H-60.2(Y)	3	110.7		111	7	123.6	107.7
CP-704-L-S6H-80.2(Y)	4	147.6		148	7	123.6	107.7
CP-702-L-S6G-50.2(Y)	2	84.6		86	7	123.6	107.7
CP-703-L-S6G-75.2(Y)	3	126.9		129	7	123.6	107.7
CP-704-L-S6G-100.2(Y)	4	169.2		172	7	251.6	219.2
CP-702-L-S6F-60.2(Y)	2	101.0		102	7	123.6	107.7
CP-703-L-S6F-90.2(Y)	3	151.5		153	7	123.6	107.7
CP-704-L-S6F-120.2(Y)	4	202.0	204	7	251.6	219.2	

DIMENSION DRAWINGS

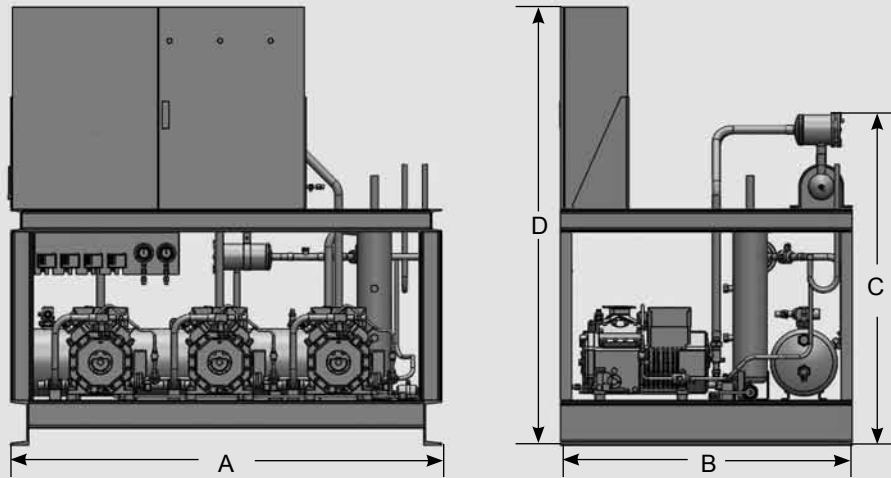


MODEL	Dimension in mm				Suction line connection (inch)	Oil separator outlet connection (inch)	Liquid receiver inlet connection (inch)	Liquid connection (inch)
	A	B	C	D				
MP-102-K-2DES-4Y	1745	850	1040	1690	1 5/8	1 1/8	1 1/8	7/8
MP-103-K-2DES-6Y	2050	850	1040	1690	1 5/8	1 1/8	1 1/8	7/8
MP-104-K-2DES-8Y	2500	850	1040	1690	2 1/8	1 1/8	1 1/8	1 1/8
MP-102-H-2DES-6Y	1745	850	1040	1690	1 5/8	1 1/8	1 1/8	7/8
MP-103-H-2DES-9Y	2050	850	1040	1690	2 1/8	1 1/8	1 1/8	7/8
MP-104-H-2DES-12Y	2500	850	1040	1690	2 1/8	1 3/8	1 1/8	1 1/8
MP-102-K-2CES-6Y	1745	850	1040	1690	1 5/8	1 1/8	1 1/8	7/8
MP-103-K-2CES-9Y	2050	850	1040	1690	1 5/8	1 1/8	1 1/8	7/8
MP-104-K-2CES-12Y	2500	850	1040	1690	2 1/8	1 1/8	1 1/8	1 1/8
MP-102-H-2CES-8Y	1745	850	1040	1690	1 5/8	1 1/8	1 1/8	7/8
MP-103-H-2CES-12Y	2050	850	1040	1690	2 1/8	1 1/8	1 1/8	7/8
MP-104-H-2CES-16Y	2500	850	1040	1690	2 1/8	1 3/8	1 1/8	1 1/8
MP-102-K-4FES-6Y	1745	850	1040	1690	1 5/8	1 1/8	1 1/8	7/8
MP-103-K-4FES-9Y	2050	850	1040	1690	2 1/8	1 1/8	1 1/8	7/8
MP-104-K-4FES-12Y	2500	850	1040	1690	2 1/8	1 1/8	1 1/8	1 1/8
MP-102-H-4FES-10Y	1745	850	1040	1690	1 5/8	1 1/8	1 1/8	7/8
MP-103-H-4FES-15Y	2050	850	1040	1690	2 1/8	1 3/8	1 1/8	7/8
MP-104-H-4FES-20Y	2500	850	1040	1690	2 1/8	1 3/8	1 1/8	1 1/8
MP-102-K-4EES-8Y	1745	850	1040	1690	1 5/8	1 1/8	1 1/8	7/8
MP-103-K-4EES-12Y	2050	850	1040	1690	1 5/8	1 1/8	1 1/8	7/8
MP-104-K-4EES-16Y	2500	850	1040	1690	2 1/8	1 1/8	1 1/8	1 1/8
MP-102-H-4EES-12Y	1745	850	1040	1690	2 1/8	1 1/8	1 1/8	7/8
MP-103-H-4EES-18Y	2050	850	1040	1690	2 1/8	1 3/8	1 1/8	7/8
MP-104-H-4EES-24Y	2500	850	1040	1690	2 1/8	1 5/8	1 1/8	1 1/8
MP-102-K-4DES-10Y	1745	850	1040	1690	1 5/8	1 1/8	1 1/8	7/8
MP-103-K-4DES-15Y	2050	850	1040	1690	1 5/8	1 1/8	1 1/8	7/8
MP-104-K-4DES-20Y	2500	850	1040	1690	2 1/8	1 1/8	1 1/8	1 1/8
MP-102-H-4DES-14Y	1745	850	1040	1690	2 1/8	1 1/8	1 1/8	7/8
MP-103-H-4DES-21Y	2050	850	1040	1690	2 1/8	1 3/8	1 1/8	7/8
MP-104-H-4DES-28Y	2500	850	1040	1690	2 1/8	1 5/8	1 1/8	1 1/8
MP-102-K-4CES-12Y	1745	850	1040	1690	1 5/8	1 1/8	1 1/8	7/8
MP-103-K-4CES-18Y	2050	850	1040	1690	2 1/8	1 1/8	1 1/8	7/8
MP-104-K-4CES-24Y	2500	850	1040	1690	2 1/8	1 1/8	1 1/8	1 1/8
MP-102-H-4CES-18Y	1745	850	1040	1690	2 1/8	1 1/8	1 1/8	7/8
MP-103-H-4CES-27Y	2050	850	1040	1690	2 1/8	1 5/8	1 1/8	7/8
MP-104-H-4CES-36Y	2500	850	1040	1690	2 1/8	1 5/8	1 1/8	1 1/8

* connection size is only an indication. Final connection size is provided with the P&ID of the unit and calculated according to the operating conditions

DIMENSION DRAWINGS

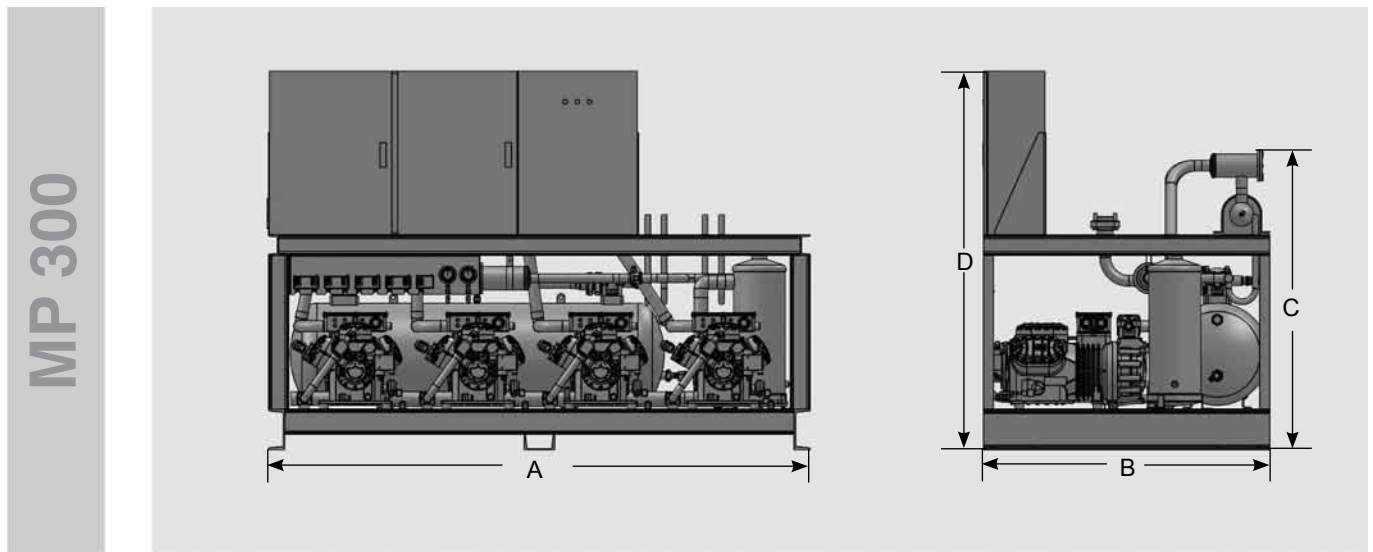
MP 200



MODEL	Dimension in mm				Suction line connection (inch)	Oil separator outlet connection (inch)	Liquid receiver inlet connection (inch)	Liquid connection (inch)
	A	B	C	D				
MP-202-L-4VES-12Y	1645	1300	1381	1750	2 1/8	1 3/8	1 3/8	7/8
MP-203-L-4VES-18Y	1920	1300	1381	1750	2 X 1 5/8	1 5/8	1 3/8	2 X 5/8
MP-204-L-4VES-24Y	2450	1300	1381	1750	3 X 1 5/8	2 1/8	1 3/8	3 X 5/8
MP-202-K-4VES-14Y	1645	1300	1381	1750	2 1/8	1 1/8	1 3/8	7/8
MP-203-K-4VES-21Y	1920	1300	1381	1750	2 X 1 5/8	1 1/8	1 3/8	2 X 5/8
MP-204-K-4VES-28Y	2450	1300	1381	1750	3 X 1 3/8	1 3/8	1 3/8	3 X 5/8
MP-202-H-4VES-20Y	1645	1300	1381	1750	2 1/8	1 3/8	1 3/8	1 1/8
MP-203-H-4VES-30Y	1920	1300	1381	1750	2 X 1 5/8	1 5/8	1 3/8	2 X 7/8
MP-204-H-4VES-40Y	2450	1300	1381	1750	3 X 1 5/8	2 1/8	1 3/8	3 X 7/8
MP-202-L-4TES-16Y	1645	1300	1381	1750	2 1/8	1 1/8	1 3/8	7/8
MP-203-L-4TES-24Y	1920	1300	1381	1750	2 X 1 5/8	1 3/8	1 3/8	2 X 5/8
MP-204-L-4TES-32Y	2450	1300	1381	1750	3 X 1 5/8	1 3/8	1 3/8	3 X 5/8
MP-202-K-4TES-18Y	1645	1300	1381	1750	2 1/8	1 1/8	1 3/8	7/8
MP-203-K-4TES-27Y	1920	1300	1381	1750	2 X 1 5/8	1 3/8	1 3/8	2 X 5/8
MP-204-K-4TES-36Y	2450	1300	1381	1750	3 X 1 5/8	1 3/8	1 3/8	3 X 5/8
MP-202-H-4TES-24Y	1645	1300	1381	1750	2 1/8	1 3/8	1 3/8	1 1/8
MP-203-H-4TES-36Y	1920	1300	1381	1750	2 X 1 5/8	1 5/8	1 3/8	2 X 7/8
MP-204-H-4TES-48Y	2450	1300	1381	1750	3 X 1 5/8	2 1/8	1 3/8	3 X 7/8
MP-202-L-4PES-20Y	1645	1300	1381	1750	2 1/8	1 1/8	1 3/8	7/8
MP-203-L-4PES-30Y	1920	1300	1381	1750	2 X 1 5/8	1 3/8	1 5/8	2 X 5/8
MP-204-L-4PES-40Y	2450	1300	1381	1750	3 X 1 5/8	1 3/8	1 5/8	3 X 5/8
MP-202-K-4PES-24Y	1645	1300	1381	1750	2 1/8	1 1/8	1 3/8	7/8
MP-203-K-4PES-36Y	1920	1300	1381	1750	2 X 1 5/8	1 3/8	1 5/8	2 X 5/8
MP-204-K-4PES-48Y	2450	1300	1381	1750	3 X 1 5/8	1 3/8	1 5/8	3 X 5/8
MP-202-H-4PES-30Y	1645	1300	1381	1750	2 1/8	1 3/8	1 3/8	1 1/8
MP-203-H-4PES-45Y	1920	1300	1381	1750	2 X 1 5/8	1 5/8	1 5/8	2 X 7/8
MP-204-H-4PES-60Y	2450	1300	1381	1750	3 X 1 5/8	2 1/8	1 5/8	3 X 7/8
MP-202-L-4NES-24Y	1645	1300	1381	1750	2 1/8	1 1/8	1 3/8	7/8
MP-203-L-4NES-36Y	1920	1300	1381	1750	2 X 1 5/8	1 3/8	1 5/8	2 X 7/8
MP-204-L-4NES-48Y	2450	1300	1381	1750	3 X 1 5/8	1 3/8	1 5/8	3 X 5/8
MP-202-K-4NES-28Y	1645	1300	1381	1750	2 1/8	1 1/8	1 3/8	7/8
MP-203-K-4NES-42Y	1920	1300	1381	1750	2 X 1 5/8	1 3/8	1 5/8	2 X 7/8
MP-204-K-4NES-56Y	2450	1300	1381	1750	3 X 1 5/8	1 3/8	1 5/8	3 X 5/8
MP-202-H-4NES-40Y	1645	1300	1381	1750	2 5/8	1 3/8	1 3/8	1 3/8
MP-203-H-4NES-60Y	1920	1300	1381	1750	2 X 2 1/8	1 5/8	1 5/8	2 X 1 1/8
MP-204-H-4NES-80Y	2450	1300	1381	1750	3 X 2 1/8	2 1/8	1 5/8	3 X 1 1/8

* connection size is only an indication. Final connection size is provided with the P&ID of the unit and calculated according to the operating conditions

DIMENSION DRAWINGS



MODEL	Dimension in mm				Suction line connection (inch)	Oil separator outlet connection (inch)	Liquid receiver inlet connection (inch)	Liquid connection (inch)
	A	B	C	D				
MP-302-L-4JE-26Y	1800	1400	1490	1850	1 X 2 5/8	1 5/8	1 5/8	1 X 1 1/8
MP-303-L-4JE-39Y	2160	1400	1490	1850	2 X 2 5/8	1 5/8	1 5/8	2 X 7/8
MP-304-L-4JE-52Y	2650	1400	1490	1850	3 X 2 1/8	2 1/8	2 1/8	3 X 7/8
MP-302-K-4JE-30Y	1800	1400	1490	1850	1 X 2 5/8	1 5/8	1 5/8	1 X 1 1/8
MP-303-K-4JE-45Y	2160	1400	1490	1850	2 X 2 5/8	1 5/8	1 5/8	2 X 7/8
MP-304-K-4JE-60Y	2650	1400	1490	1850	3 X 2 1/8	2 1/8	2 1/8	3 X 7/8
MP-302-H-4JE-44Y	1800	1400	1490	1850	1 X 2 5/8	1 5/8	1 5/8	1 X 1 3/8
MP-303-H-4JE-66Y	2160	1400	1490	1850	2 X 2 5/8	2 1/8	1 5/8	2 X 1 3/8
MP-304-H-4JE-88Y	2650	1400	1490	1850	3 X 2 1/8	2 5/8	2 1/8	3 X 1 1/8
MP-302-L-4HE-30Y	1800	1400	1490	1850	1 X 2 5/8	1 5/8	1 5/8	1 X 1 1/8
MP-303-L-4HE-45Y	2160	1400	1490	1850	2 X 2 5/8	1 5/8	1 5/8	2 X 7/8
MP-304-L-4HE-60Y	2650	1400	1490	1850	3 X 2 1/8	2 1/8	2 1/8	3 X 7/8
MP-302-K-4HE-36Y	1800	1400	1490	1850	1 X 2 5/8	1 5/8	1 5/8	1 X 1 1/8
MP-303-K-4HE-54Y	2160	1400	1490	1850	2 X 2 5/8	1 5/8	1 5/8	2 X 7/8
MP-304-K-4HE-72Y	2650	1400	1490	1850	3 X 2 1/8	2 1/8	2 1/8	3 X 7/8
MP-302-H-4HE-50Y	1800	1400	1490	1850	1 X 2 5/8	1 5/8	1 5/8	1 X 1 3/8
MP-303-H-4HE-75Y	2160	1400	1490	1850	2 X 2 5/8	2 1/8	1 5/8	2 X 1 3/8
MP-304-H-4HE-100Y	2650	1400	1490	1850	3 X 2 1/8	2 5/8	2 1/8	3 X 1 1/8
MP-302-L-4GE-40Y	1800	1400	1490	1850	1 X 2 5/8	1 5/8	1 5/8	1 X 1 1/8
MP-303-L-4GE-60Y	2160	1400	1490	1850	2 X 2 5/8	1 5/8	2 1/8	2 X 7/8
MP-304-L-4GE-80Y	2650	1400	1490	1850	3 X 2 5/8	2 1/8	2 1/8	3 X 7/8
MP-302-K-4GE-46Y	1800	1400	1490	1850	1 X 2 5/8	1 5/8	1 5/8	1 X 1 1/8
MP-303-K-4GE-69Y	2160	1400	1490	1850	2 X 2 5/8	1 5/8	2 1/8	2 X 7/8
MP-304-K-4GE-92Y	2650	1400	1490	1850	3 X 2 5/8	2 1/8	2 1/8	3 X 7/8
MP-302-H-4GE-60Y	1800	1400	1490	1850	1 X 3 1/8	1 5/8	1 5/8	1 X 1 3/8
MP-303-H-4GE-90Y	2160	1400	1490	1850	2 X 2 5/8	2 1/8	2 1/8	2 X 1 3/8
MP-304-H-4GE-120Y	2650	1400	1490	1850	3 X 2 5/8	2 5/8	2 1/8	3 X 1 3/8
MP-302-L-4FE-50Y	1800	1400	1490	1850	1 X 2 5/8	1 5/8	1 5/8	1 X 1 1/8
MP-303-L-4FE-75Y	2160	1400	1490	1850	2 X 2 5/8	1 5/8	2 1/8	2 X 1 1/8
MP-304-L-4FE-100Y	2650	1400	1490	1850	3 X 2 5/8	2 1/8	2 1/8	3 X 1 1/8
MP-302-K-4FE-56Y	1800	1400	1490	1850	1 X 2 5/8	1 5/8	1 5/8	1 X 1 1/8
MP-303-K-4FE-84Y	2160	1400	1490	1850	2 X 2 5/8	1 5/8	2 1/8	2 X 1 1/8
MP-304-K-4FE-112Y	2650	1400	1490	1850	3 X 2 5/8	2 1/8	2 1/8	3 X 1 1/8
MP-302-H-4FE-70Y	1800	1400	1490	1850	2 X 2 5/8	1 5/8	1 5/8	2 X 1 3/8
MP-303-H-4FE-105Y	2160	1400	1490	1850	2 X 2 5/8	2 1/8	2 1/8	2 X 1 3/8
MP-304-H-4FE-140Y	2650	1400	1490	1850	3 X 2 5/8	2 5/8	2 1/8	3 X 1 3/8
MP-302-L-6JE-44Y	1800	1400	1490	1850	1 X 2 5/8	1 5/8	1 5/8	1 X 1 1/8
MP-303-L-6JE-66Y	2160	1400	1490	1850	2 X 2 5/8	1 5/8	2 1/8	2 X 1 1/8
MP-304-L-6JE-88Y	2650	1400	1490	1850	3 X 2 5/8	2 1/8	2 1/8	3 X 1 1/8
MP-302-K-6JE-50Y	1800	1400	1490	1850	1 X 2 5/8	1 5/8	1 5/8	1 X 1 1/8
MP-303-K-6JE-75Y	2160	1400	1490	1850	2 X 2 5/8	1 5/8	2 1/8	2 X 1 1/8
MP-304-K-6JE-100Y	2650	1400	1490	1850	3 X 2 5/8	2 1/8	2 1/8	3 X 1 1/8

* connection size is only an indication. Final connection size is provided with the P&ID of the unit and calculated according to the operating conditions

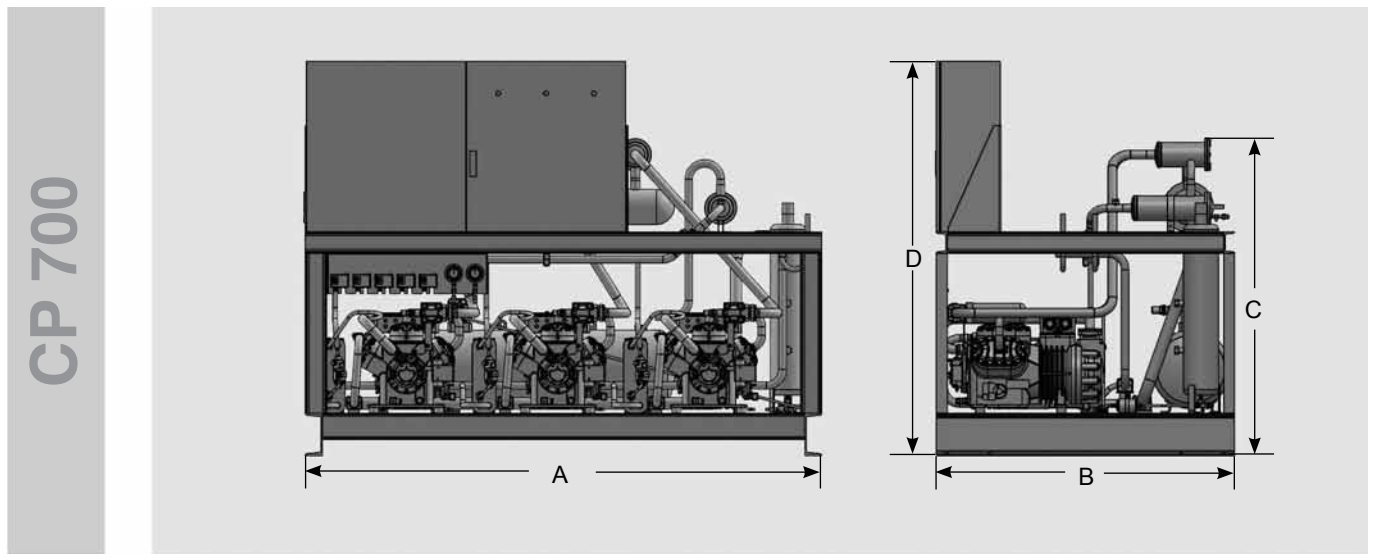


DIMENSION DRAWINGS

MODEL	Dimension in mm				Suction line connection (inch)	Oil separator outlet connection (inch)	Liquid receiver inlet connection (inch)	Liquid connection (inch)
	A	B	C	D				
MP-302-H-6JE-66Y	1800	1400	1490	1850	2 X 2 5/8	1 5/8	1 5/8	2 X 1 3/8
MP-303-H-6JE-99Y	2160	1400	1490	1850	2 X 2 5/8	2 1/8	2 1/8	2 X 1 3/8
MP-304-H-6JE-132Y	2650	1400	1490	1850	3 X 2 5/8	2 5/8	2 1/8	3 X 1 3/8
MP-302-L-6HE-50Y	1800	1400	1490	1850	2 X 2 5/8	1 5/8	1 5/8	2 X 7/8
MP-303-L-6HE-75Y	2160	1400	1490	1850	2 X 2 5/8	1 5/8	2 1/8	2 X 1 1/8
MP-304-L-6HE-100Y	2650	1400	1490	1850	3 X 2 5/8	2 1/8	2 1/8	3 X 1 1/8
MP-302-K-6HE-56Y	1800	1400	1490	1850	2 X 2 5/8	1 5/8	1 5/8	2 X 7/8
MP-303-K-6HE-84Y	2160	1400	1490	1850	2 X 2 5/8	1 5/8	2 1/8	2 X 1 1/8
MP-304-K-6HE-112Y	2650	1400	1490	1850	3 X 2 5/8	2 1/8	2 1/8	3 X 1 1/8
MP-302-H-6HE-70Y	1800	1400	1490	1850	2 X 2 5/8	1 5/8	1 5/8	2 X 1 3/8
MP-303-H-6HE-105Y	2160	1400	1490	1850	2 X 2 5/8	2 1/8	2 1/8	2 X 1 3/8
MP-304-H-6HE-140Y	2650	1400	1490	1850	3 X 2 5/8	2 5/8	2 1/8	3 X 1 3/8
MP-302-L-6GE-60Y	1800	1400	1490	1850	2 X 2 5/8	1 5/8	1 3/8	2 X 7/8
MP-303-L-6GE-90Y	2160	1400	1490	1850	2 X 3 1/8	1 5/8	2 1/8	2 X 1 1/8
MP-304-L-6GE-120Y	2650	1400	1490	1850	3 X 2 5/8	2 1/8	2 1/8	3 X 1 1/8
MP-302-K-6GE-68Y	1800	1400	1490	1850	2 X 2 5/8	1 5/8	1 3/8	2 X 7/8
MP-303-K-6GE-102Y	2160	1400	1490	1850	2 X 3 1/8	1 5/8	2 1/8	2 X 1 1/8
MP-304-K-6GE-136Y	2650	1400	1490	1850	3 X 2 5/8	2 1/8	2 1/8	3 X 1 1/8
MP-302-H-6GE-80Y	1800	1400	1490	1850	2 X 2 5/8	1 5/8	1 3/8	2 X 1 3/8
MP-303-H-6GE-120Y	2160	1400	1490	1850	2 X 2 5/8	2 1/8	2 1/8	2 X 1 3/8
MP-304-H-6GE-160Y	2650	1400	1490	1850	3 X 3 1/8	2 5/8	2 1/8	3 X 1 5/8
MP-302-L-6FE-80Y	1800	1400	1490	1850	2 X 2 5/8	2 1/8	1 3/8	2 X 1 1/8
MP-303-L-6FE-120Y	2160	1400	1490	1850	2 X 3 1/8	2 1/8	2 1/8	2 X 1 1/8
MP-304-L-6FE-160Y	2650	1400	1490	1850	3 X 3 1/8	2 1/8	2 1/8	3 X 1 1/8
MP-302-K-6FE-88Y	1800	1400	1490	1850	2 X 2 5/8	2 1/8	1 3/8	2 X 1 1/8
MP-303-K-6FE-132Y	2160	1400	1490	1850	2 X 3 1/8	2 1/8	2 1/8	2 X 1 1/8
MP-304-K-6FE-176Y	2650	1400	1490	1850	3 X 3 1/8	2 1/8	2 1/8	3 X 1 1/8
MP-302-H-6FE-100Y	1800	1400	1490	1850	2 X 2 5/8	2 1/8	1 3/8	2 X 1 3/8
MP-303-H-6FE-150Y	2160	1400	1490	1850	3 X 3 1/8	2 1/8	2 1/8	2 X 1 5/8
MP-304-H-6FE-200Y	2650	1400	1490	1850	3 X 3 1/8	3 1/8	2 1/8	3 X 1 5/8

* connection size is only an indication. Final connection size is provided with the P&ID of the unit and calculated according to the operating conditions.

DIMENSION DRAWINGS



MODEL	Dimension in mm				Suction line connection (inch)	Oil separator outlet connection (inch)	Liquid receiver inlet connection (inch)	Liquid connection (inch)
	A	B	C	D				
CP-702-L-S4T-10.2(Y)	1660	1400	1488	1850	Pipe sizes for 2-stage systems are engineered to order. Alternatively the connection sizes can be requested at the time of quotation			
CP-703-L-S4T-15.2(Y)	2425	1400	1488	1850				
CP-704-L-S4T-20.2(Y)	3135	1400	1488	1850				
CP-702-L-S4N-16.2(Y)	1660	1400	1488	1850				
CP-703-L-S4N-24.2(Y)	2425	1400	1488	1850				
CP-704-L-S4N-32.2(Y)	3135	1400	1488	1850				
CP-702-L-S4G-24.2(Y)	1660	1400	1488	1850				
CP-703-L-S4G-36.2(Y)	2425	1400	1488	1850				
CP-704-L-S4G-48.2(Y)	3135	1400	1488	1850				
CP-702-L-S6J-32.2(Y)	1660	1400	1488	1850				
CP-703-L-S6J-48.2(Y)	2425	1400	1488	1850				
CP-704-L-S6J-64.2(Y)	3135	1400	1488	1850				
CP-702-L-S6H-40.2(Y)	1660	1400	1488	1850				
CP-703-L-S6H-60.2(Y)	2425	1400	1488	1850				
CP-704-L-S6H-80.2(Y)	3135	1400	1488	1850				
CP-702-L-S6G-50.2(Y)	1660	1400	1488	1850				
CP-703-L-S6G-75.2(Y)	2425	1400	1488	1850				
CP-704-L-S6G-100.2(Y)	3135	1400	1488	1850				
CP-702-L-S6F-60.2(Y)	1660	1400	1488	1850				
CP-703-L-S6F-90.2(Y)	2425	1400	1488	1850				
CP-704-L-S6F-120.2(Y)	3135	1400	1488	1850				



PT. Bitzer Compressors Indonesia
Jl. Raya Tlajung Udik No.2 Gunung Putri
Bogor 16962, Indonesia
Tel +62 [0] 21 8671041 // Fax +62 [0] 21 8670386
www.bitzeravp.com · infoavp@bitzerasia.com

Subject to change // 09.2013